

270

OBSIDIAN

MID-TOWER TEMPERED GLASS GAMING CASE

USER MANUAL

Installation Instructions

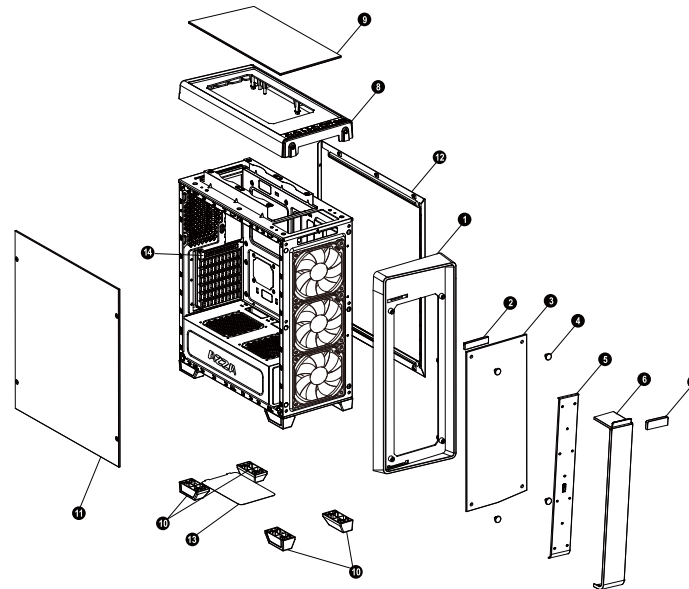
1. Specifications
2. Chassis Parts
3. Control Panel Functions
4. Magnetic Headphone Holder Installation
5. 3.5"/2.5" HDD Installation
6. Optional Liquid Cooling System
7. AZZA PRISMA Digital RGB Fan Installation For Motherboard
8. RF Remote

Specifications

Model	
Model Name	Obsidian 270
Model Number	CSAZ-270
Specifications	
Type	ATX Mid Tower
Color	Black(exterior)/Black(interior)
Side Panel Window	Tempered Glass on Top, Front and Side panel. Tempered Glass with rubber mounts
Max CPU Cooler Height	Up to 155mm
Max Video Card Length	Up to 370mm Long Video Card
Power Supply	Not included
Motherboard Compatibility	ATX, Micro ATX
Expansion	
External 5.25" Drive Bays	0
Internal 2.5" Drive Bays	Up to 5
Internal 3.5" Drive Bays	Up to 3
Expansion Slots	7
Top Ports	2 x USB3.0, 2 x USB2.0, HD Audio
Physical Specifications	
Dimensions (HxWxD)	514x198x469mm / 20.3x7.8x18.5 inches
Weight	6.96kg /15.4 lbs
Features	
Digital RGB Light Effects	Digital RGB light on the front. All digital RGB light devices controlled by RF Remote (included) or motherboard.
Tempered Glass Side Window	High-quality tempered glass side windows allow for clear visuals to inner components
Available Fan Ports	2x120mm Fan ports on the top 3x120mm or 2x140mm Fan ports in the front (3x12cm PRISMA- Digital RGB Fans included) 1x120mm Fan port in the rear
Dust Filters	Dustproof PVC Net on bottom of Chassis
Water Cooling	Supports radiators up 240mm on top/360mm in front
Isolated Chamber	Power supply is housed inside its own isolated chamber, preventing its heat from affecting other components
Easy Installation Cooler	A pre-cut hole for easy installation of CPU Cooler, eliminating the need to remove the motherboard
Accessories	Headphone Hanger, Anti-dust Plug, Digital RGB LED RF Remote

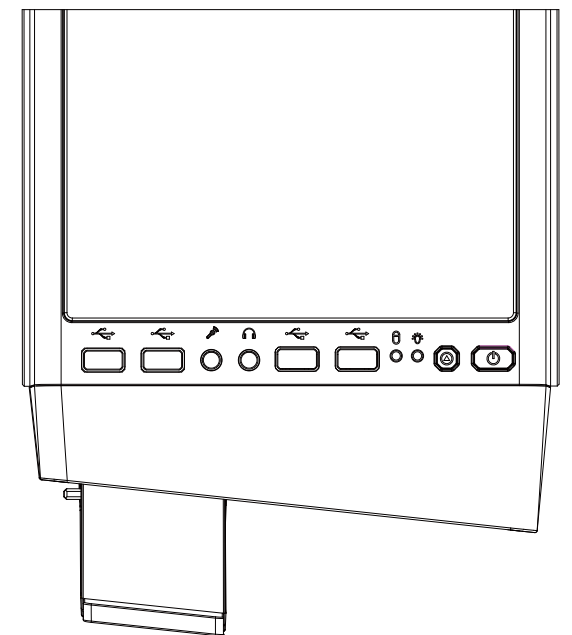
Digital RGB lighting: Also known as "addressable" RGB. Digital RGB lights offer the ability to assign colors to each LED diode individually, whereas analog RGB lighting only allows the LED strip to display one color along the whole strip at a time. The terms "digital" and "addressable" can be used interchangeably when referring to RGB lighting.

Chassis Parts



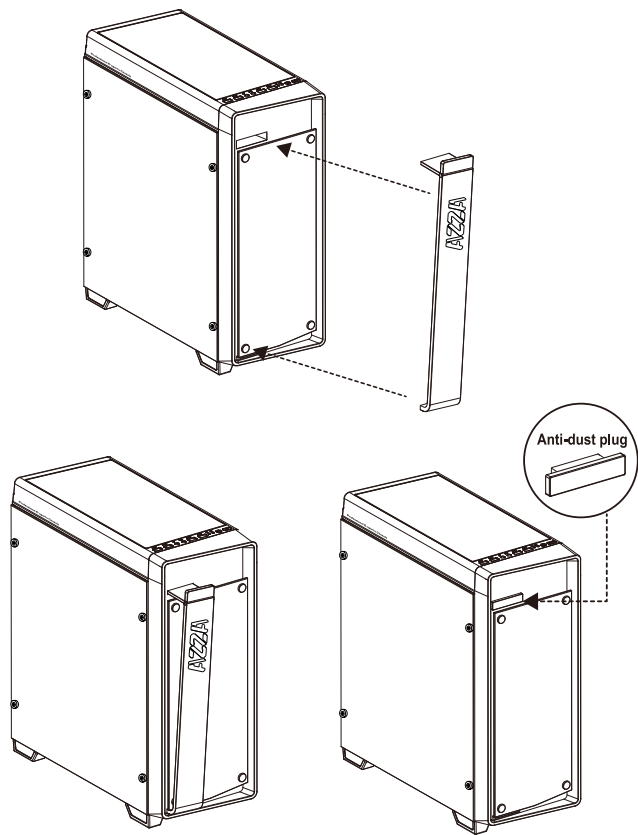
1	Front bezel
2	Rubber fitting
3	Tempered glass front panel
4	Decoration nails x 4
5	Inner headset hanger
6	Outer headset hanger
7	Rubber cover
8	Top cover
9	Tempered glass top panel
10	Case feet x 4
11	Left side panel
12	Right side panel
13	Dust filter
14	PCI slot cover

Control Panel Functions



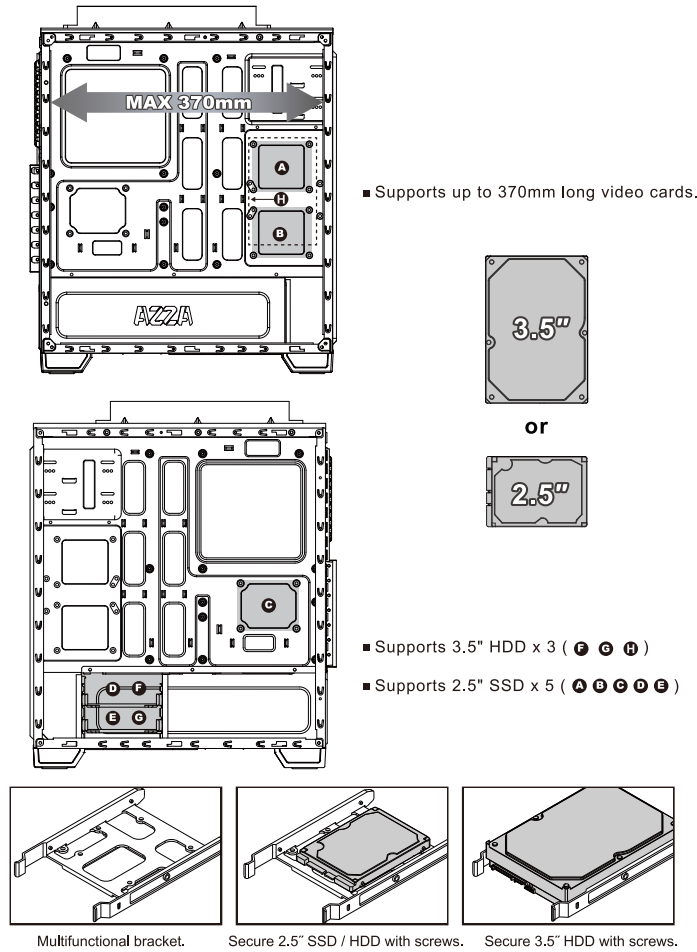
	USB3.0(Blue)		Power LED
	USB2.0(Black)		HDD LED
	Mic		Power
	Audio		Reset

Magnetic Headphone Holder Installation

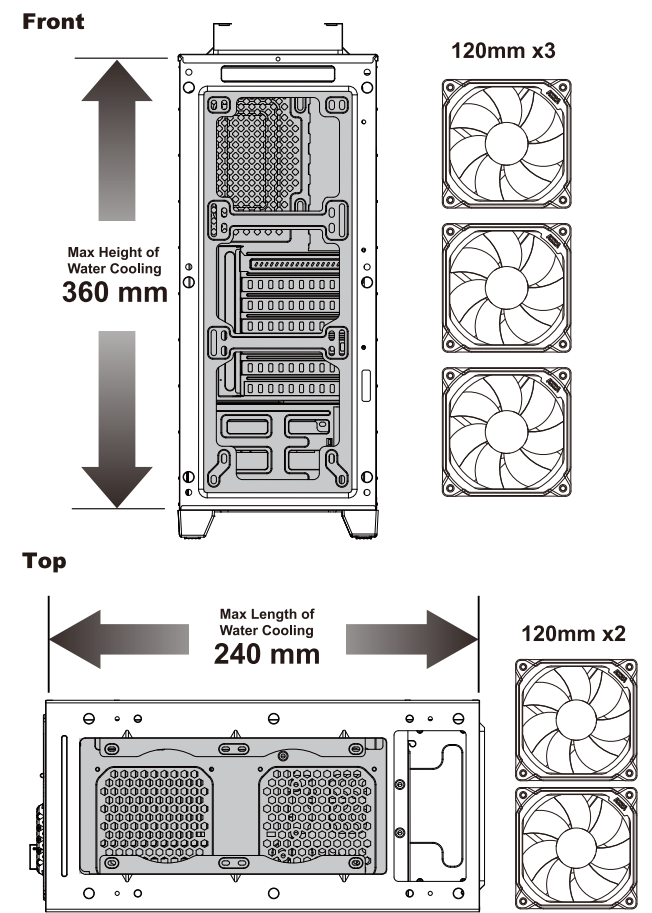


When the magnetic headphone hanger is not in use, please use the anti-dust plug to protect the case from dust or dirt.

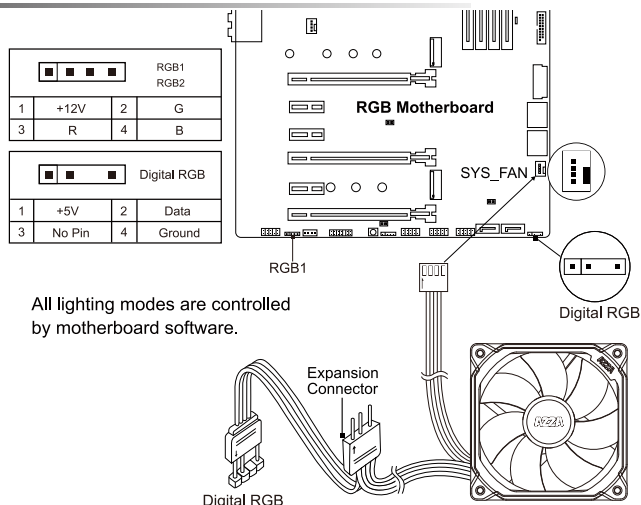
3.5" / 2.5" HDD Installation



Optional Liquid Cooling System

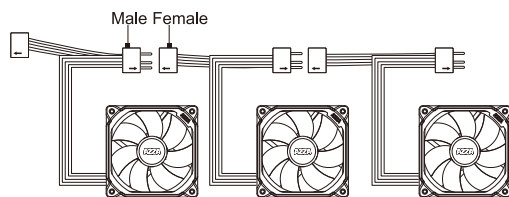


AZZA PRISMA Digital RGB Fan Installation For Motherboard



All lighting modes are controlled by motherboard software.

Parallel Connection ("daisy-chaining")



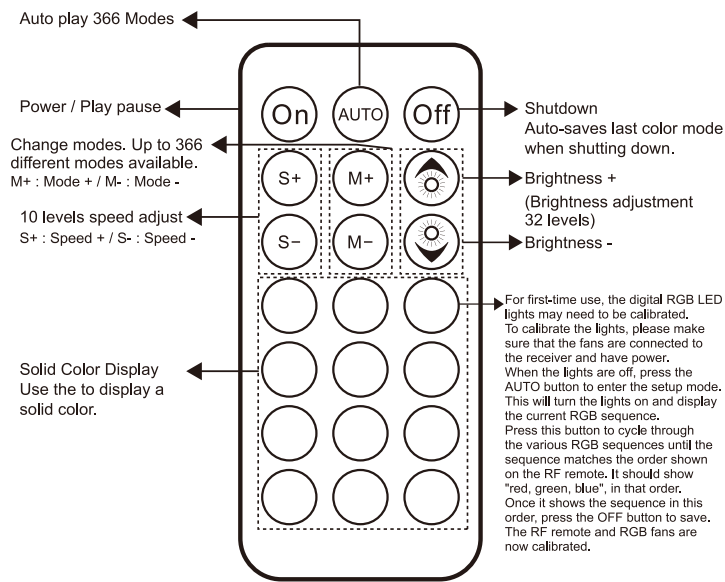
CAUTION

If you do not have a motherboard that is compatible with digital RGB, then you can opt to use the included RF remote and receiver.

The addressable RGB fan has a 3-pin connector (4 holes). Please ensure that you are connecting the 3-pin connector on the fan to the 3-pin RGB header on the motherboard or RF Remote connector. Do not plug it into the 4-pin header, as the incompatible voltage will fry the fan. The 3-pin connector on the fan still has 4 holes, but the 4th hole is intentionally blocked, for this reason, so please do not try to force it!

Our digital RGB devices are WS2812B-compliant. Each fan contains 18 digital/addressable LED diodes. The WS2812B standard supports up to 60 diodes at the maximum for a single header, so please do not daisy-chain more than 3 digital RGB fans together.

RF Remote (Model Number: RF-DRGB-I366)



The first Digital RGB fan is to be connected to the Digital RGB LED RF remote in the chassis, while the rest of them can be daisy chained to the first one with their own male and female plugs.

