



# PRIME

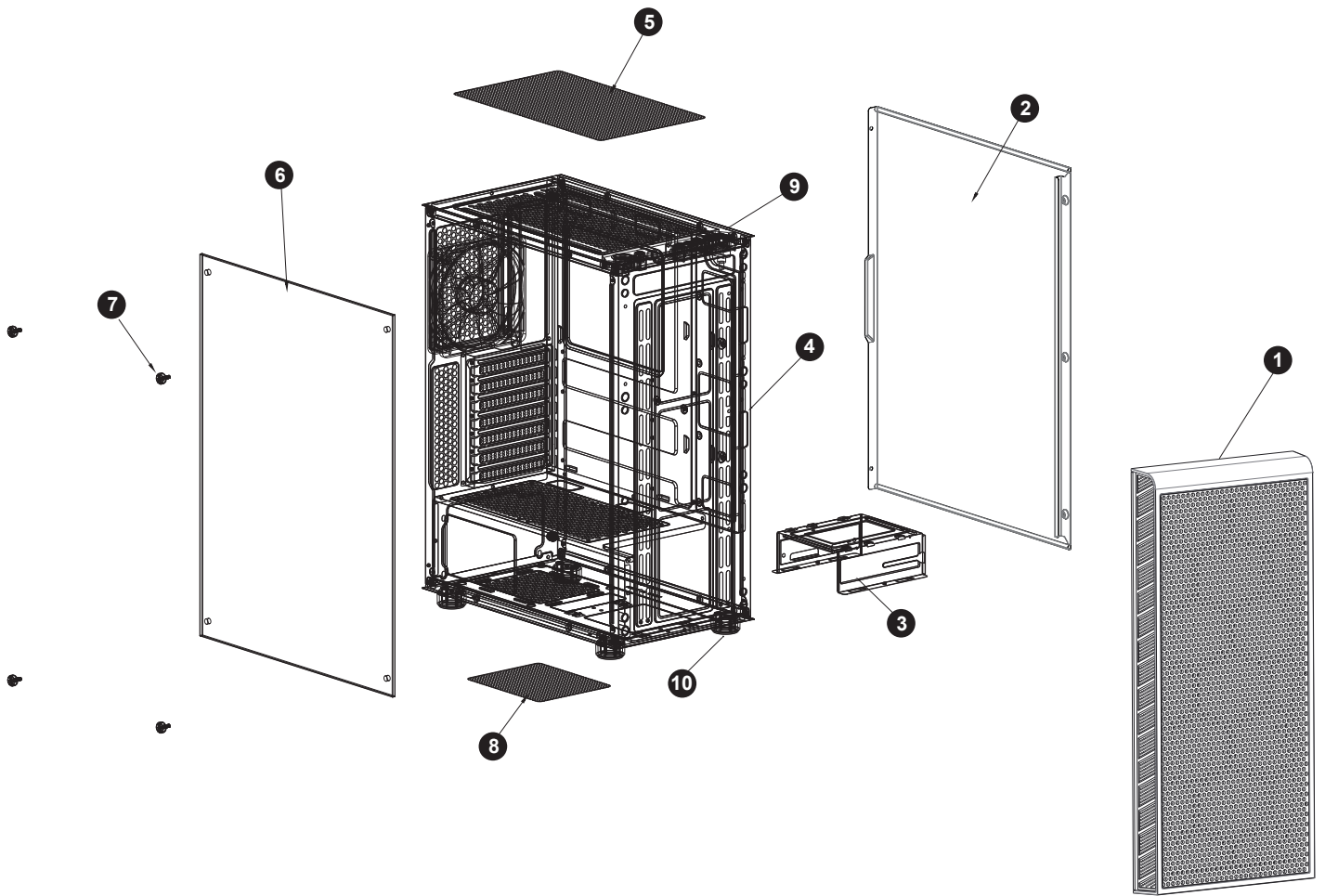
# USER MANUAL

1. Specifications
2. Chassis Parts
3. Control Panel Functions
4. 3.5"/2.5" HDD/SSD Installation
5. Cooling System Installation
6. ARGB Control Modes Switching
7. Fan Installation

# Specifications

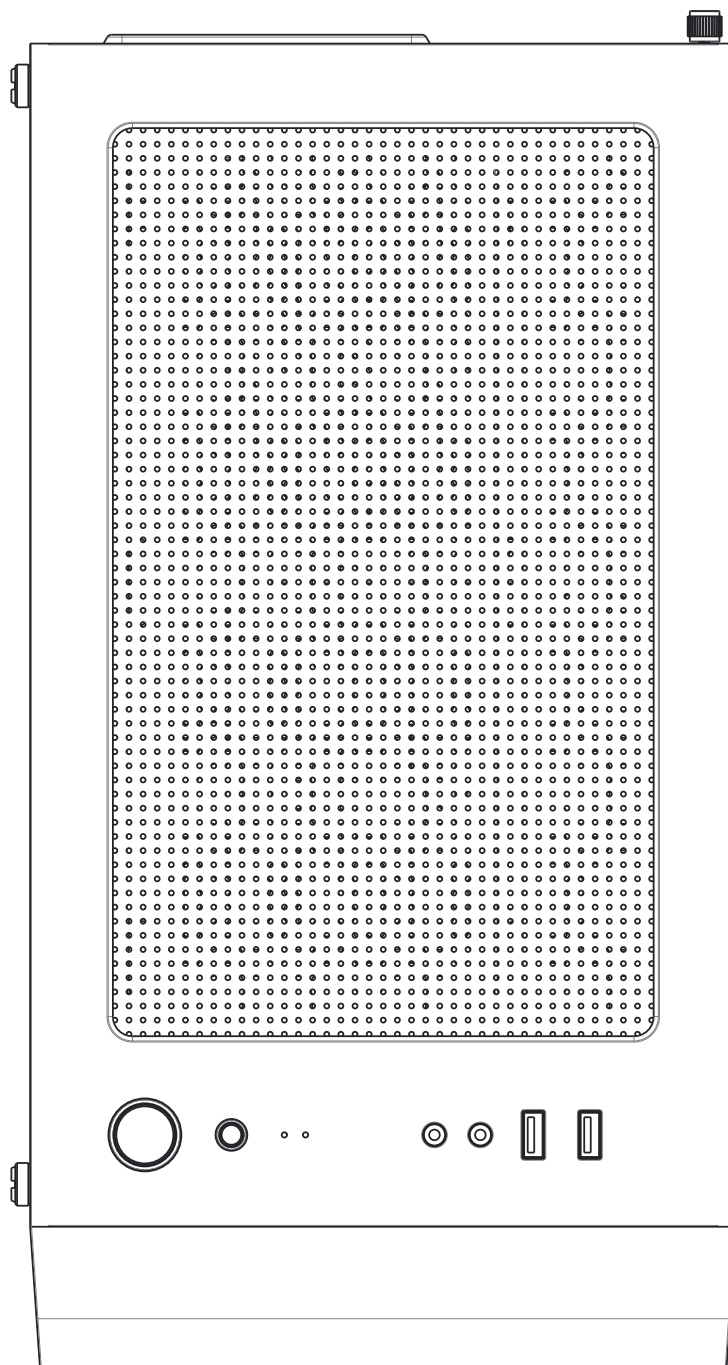
Model	
Model Name:	Prime
Model Number:	CSAZ-360
Specifications	
Type:	ATX Mid Tower
Color:	Black/Black(interior)
Side Panel Window:	Left side panel: Tempered glass with rubber mounts
Max CPU Cooler Height:	UP to 170mm
Max Video Card Length:	Up to 310mm long video card
Power Supply:	Not included
Motherboard Compatibility:	ATX · Micro ATX· ITX
Expansion	
External 5.25" Drive Bays:	0
Internal 2.5" Drive Bays:	Up to 3
Internal 3.5" Drive Bays:	Up to 2
Expansion Slots:	7
Top Ports:	Power button, LED button, HD Audio, USB 3.0 x 2
Physical Specifications	
Physical Dimension (HxWxD)	458x200x375mm/18x7.9x14.8 inches
Weight:	4.8Kg /10.6lbs
Features	
Tempered Glass Sides Window:	High-quality tempered glass side window allows for clear visuals to inner components
Addressable RGB Light Effects:	ARGB fans are controlled using the LED button. All addressable RGB devices can sync with the motherboard, allowing the motherboard software to control lighting directly.
Available Fan Ports:	3x120mm or 2x140mm fan ports in the front (3x120mm LFO-4012D addressable ARGB fan included) 2x120mm fan ports on the top 1x120mm fan port in the rear 2x120mm fan ports on the top of Power Supply Shroud
Water Cooling:	Supports radiators up to 240mm in the front
Dust Filters:	Removable (magnetic) dustproof net on the top , removable dust filter on bottom of chassis.
Power Supply Support:	Bottom mounted ATX power supply





# Chassis Parts

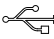
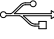


1	Front panel
2	Metal side panel
3	Hard disk cage
4	Chassis
5	Removable magnetic mesh
6	Tempered glass panel
7	Glass panel screws
8	Removable dust filter
9	Top I/O & buttons
10	Shock-proof stand

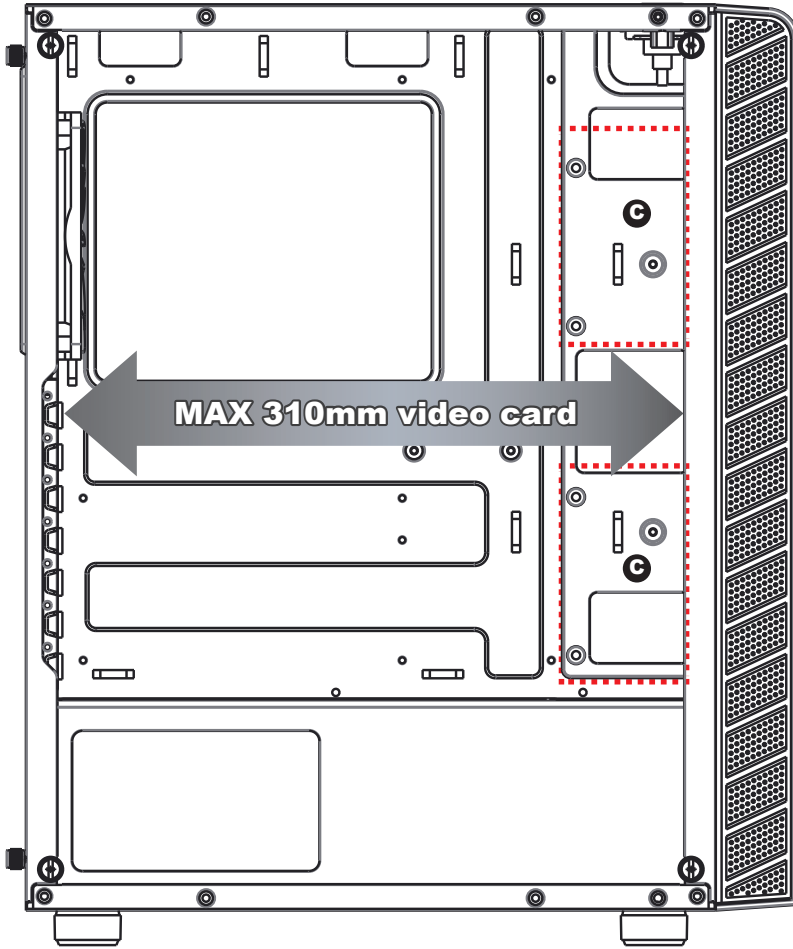
# Control Panel Functions



	POWER
	LED
	Mic
	Audio

	USB 3.0
	USB 3.0

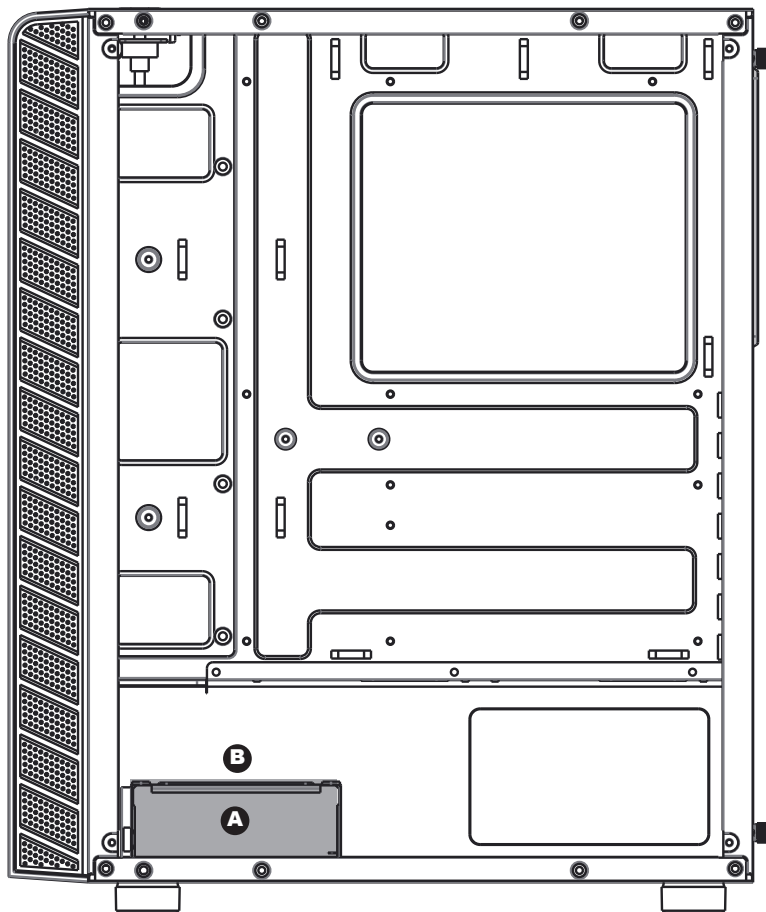
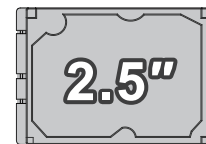
# 3.5 "/ 2.5" HDD/SSD Installation



- Supports up to 310mm long video cards.

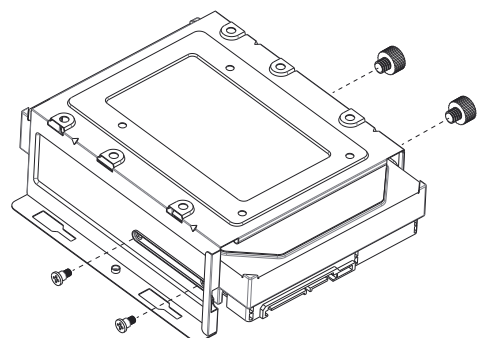


or

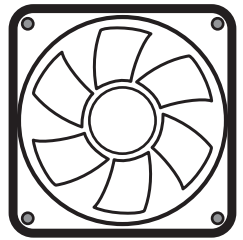
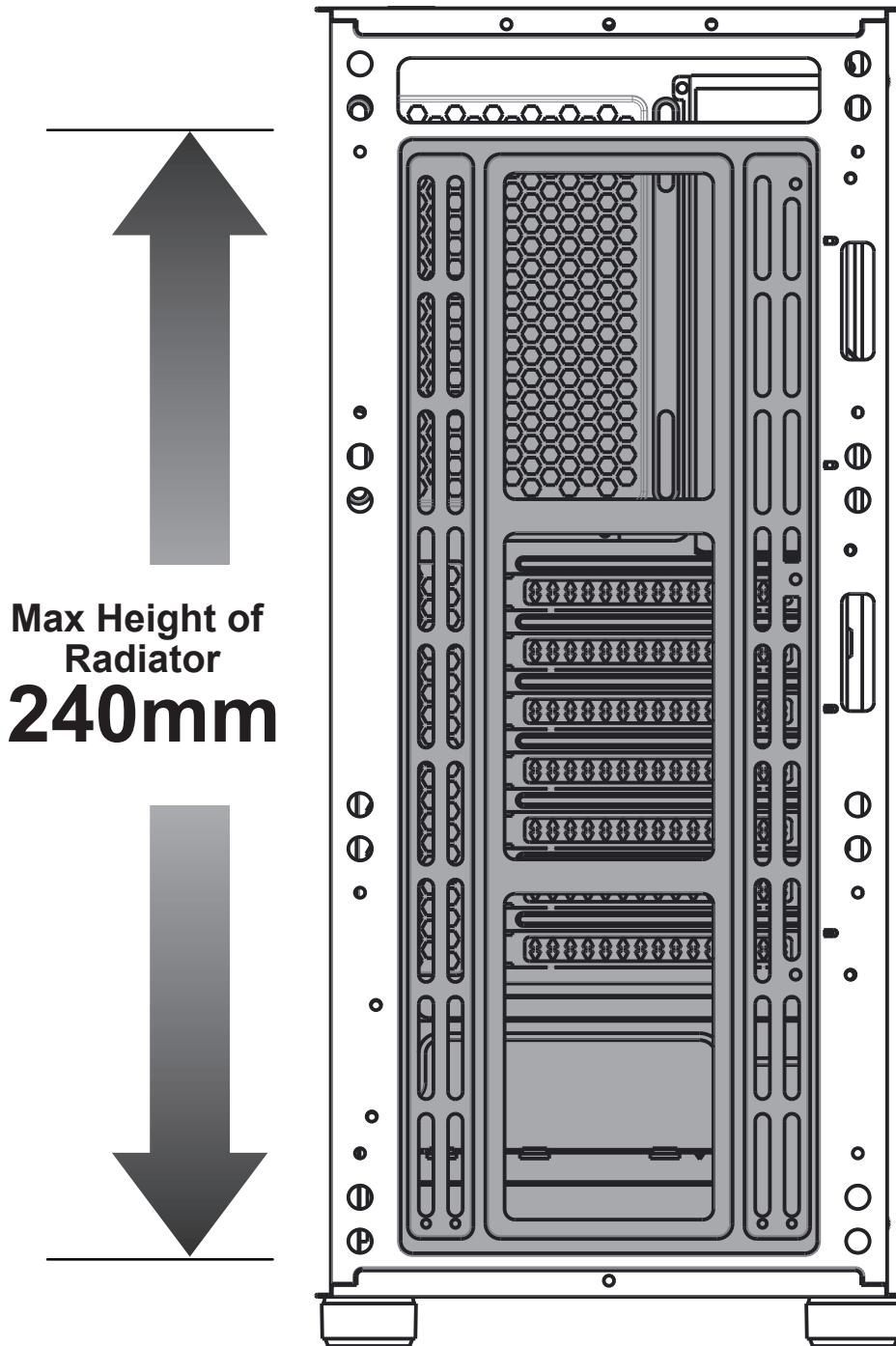


- Multifunctional hard disk bracket support 3.5" HDD x 1 ( **A** )
- Multifunctional hard disk cage support 3.5" HDD or 2.5" SSD x 1 ( **B** )
- Two mounting holes support 2.5" SSD x 2 ( **C** )

3.5" HDD Install

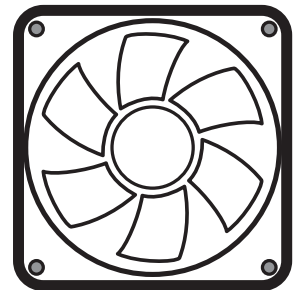


# Front



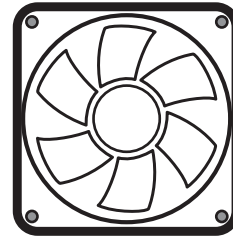
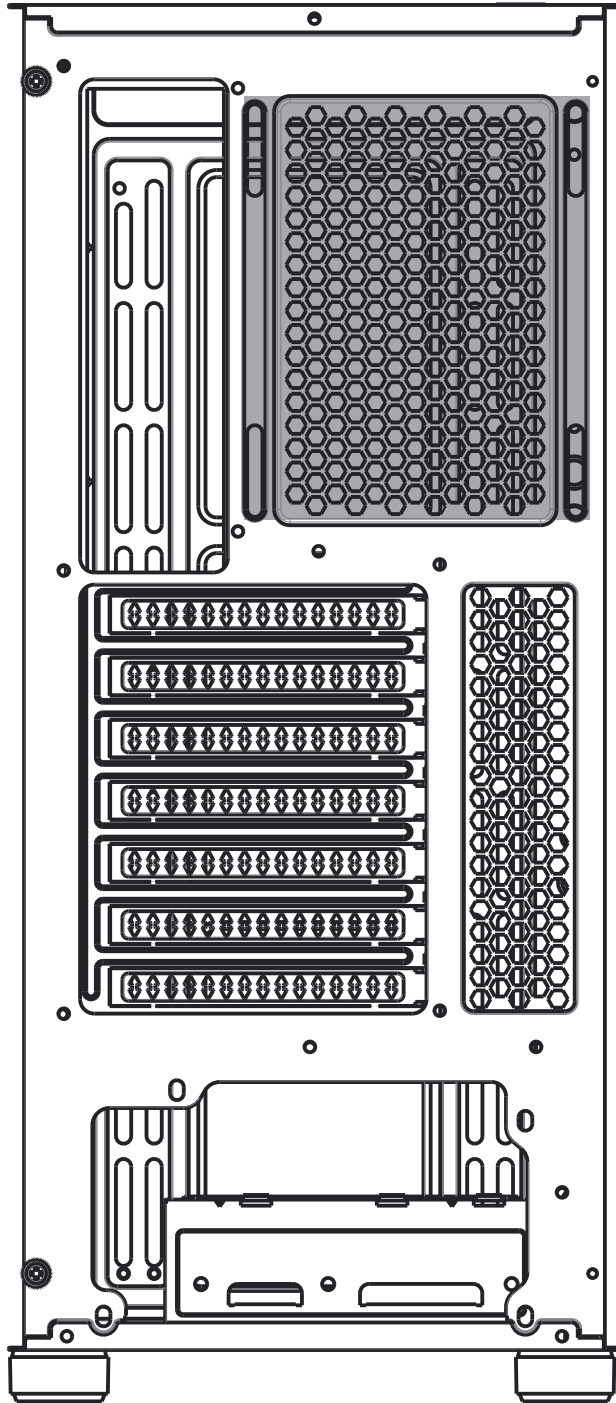
120mm x3

or



140mm x2

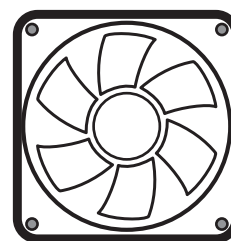
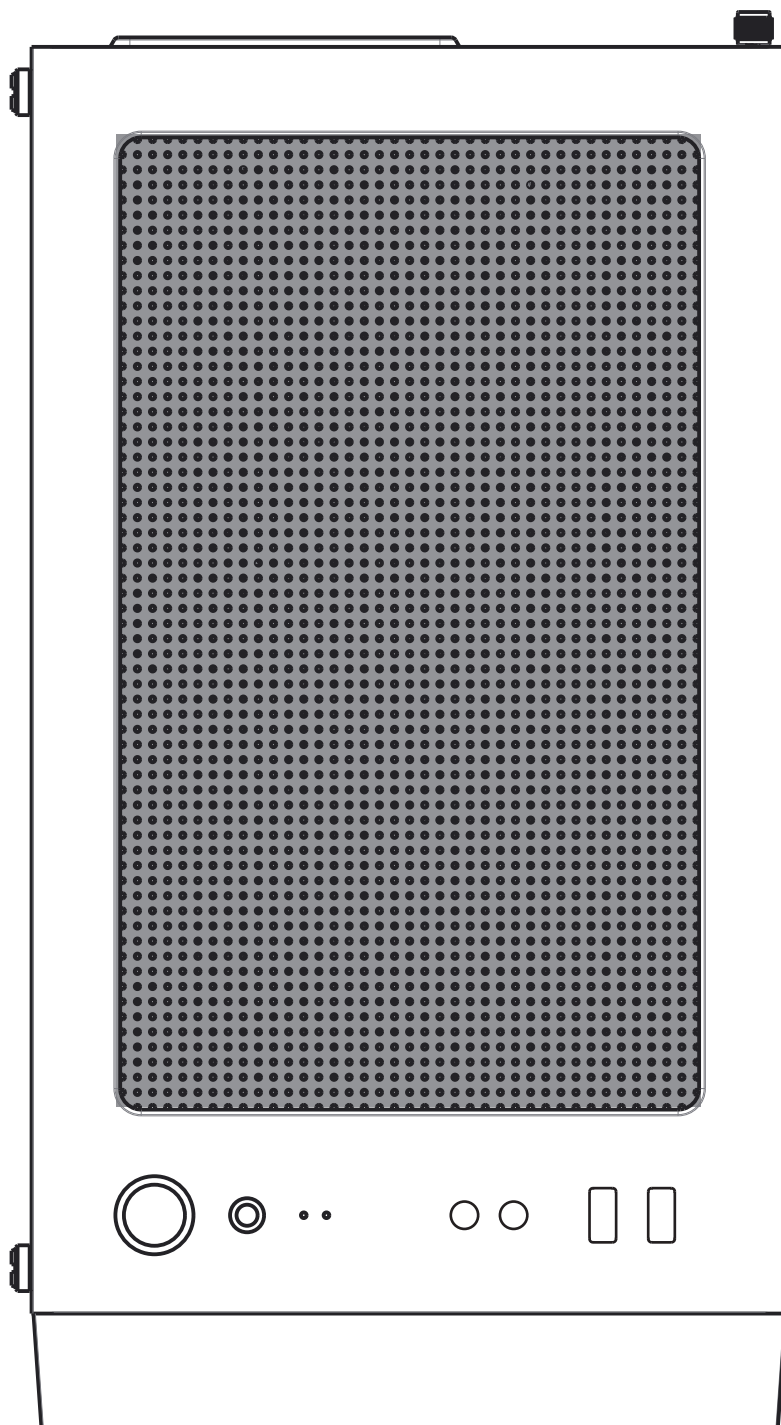
# Rear



120mm x1



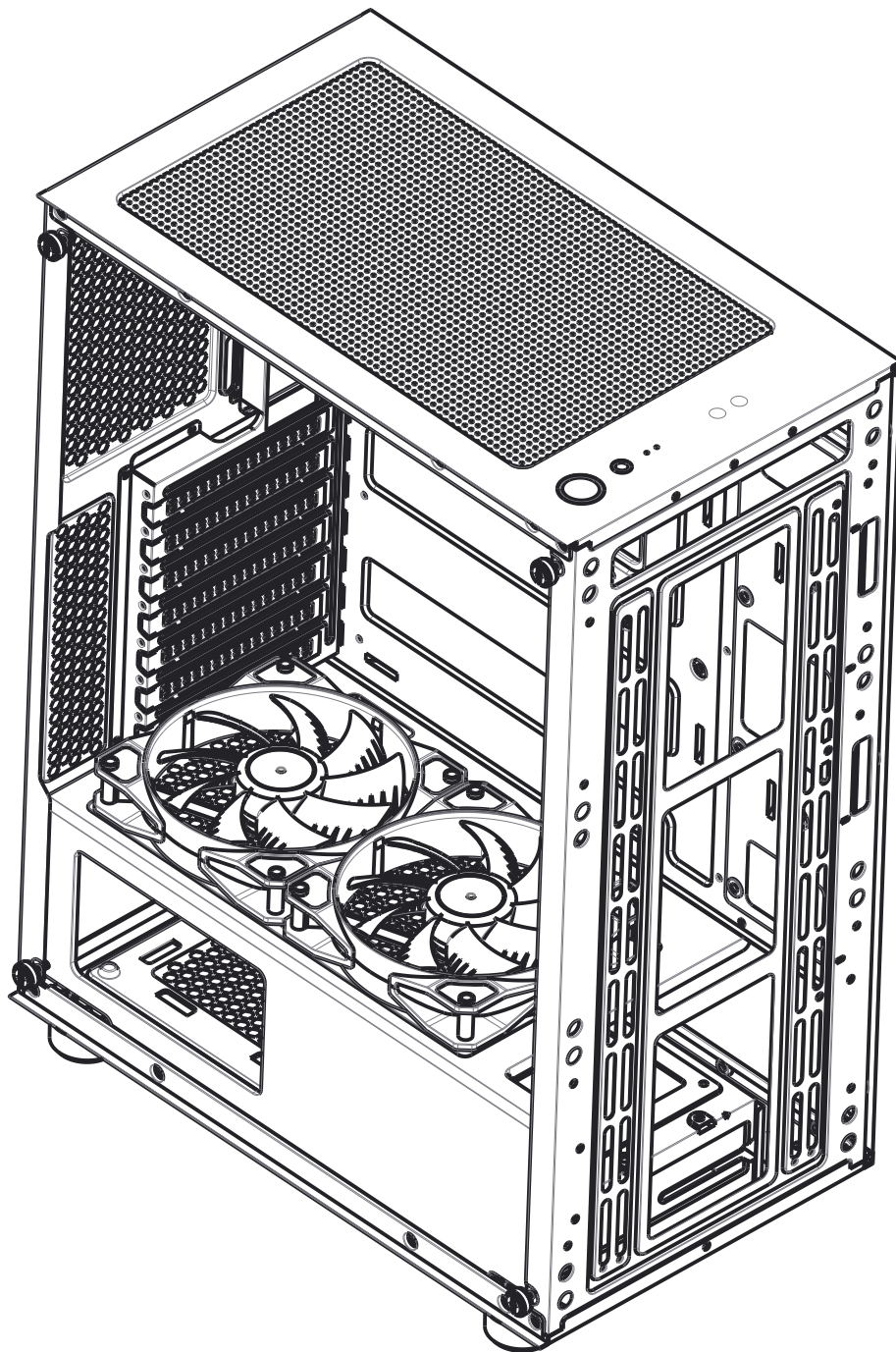
# Top



120mm x2

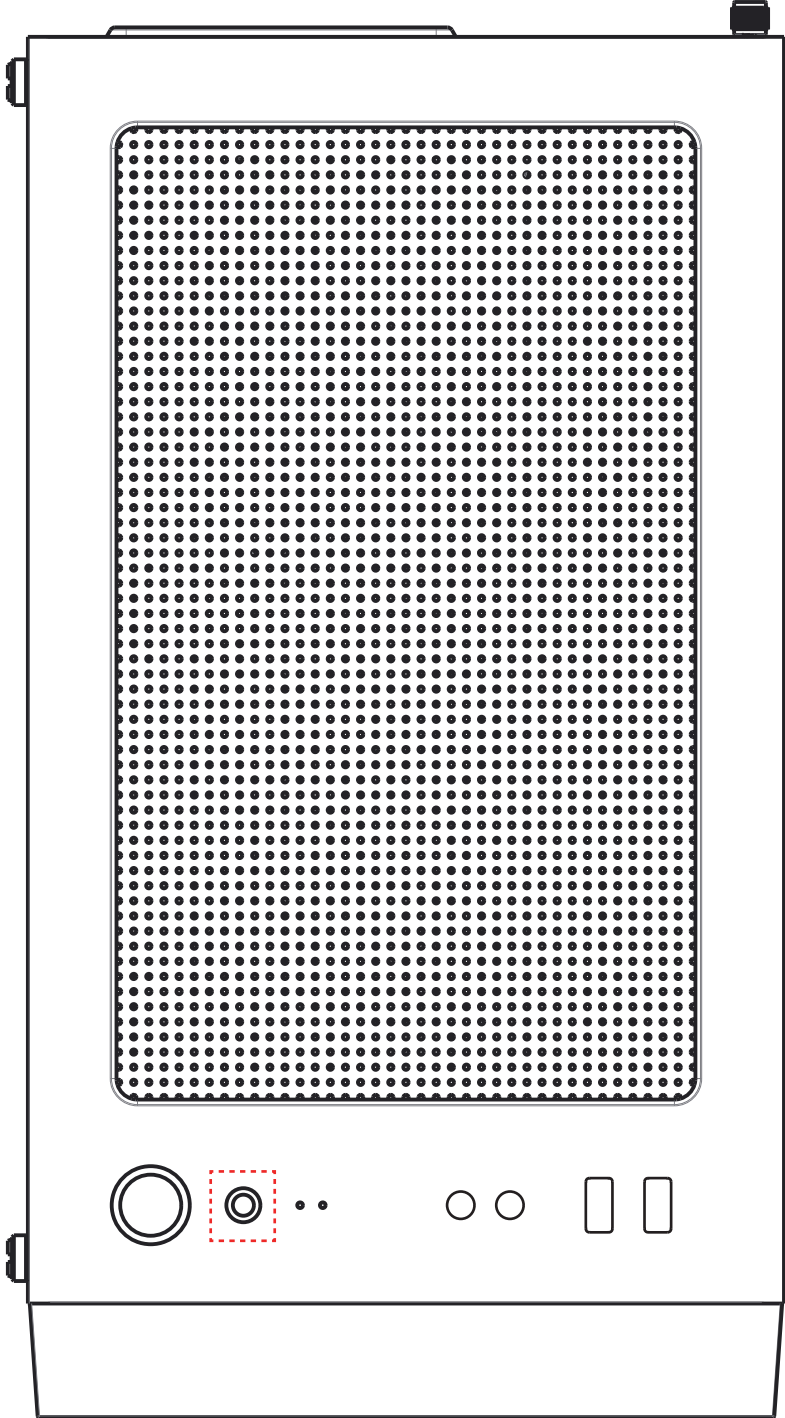
## Cooling System Installation

---



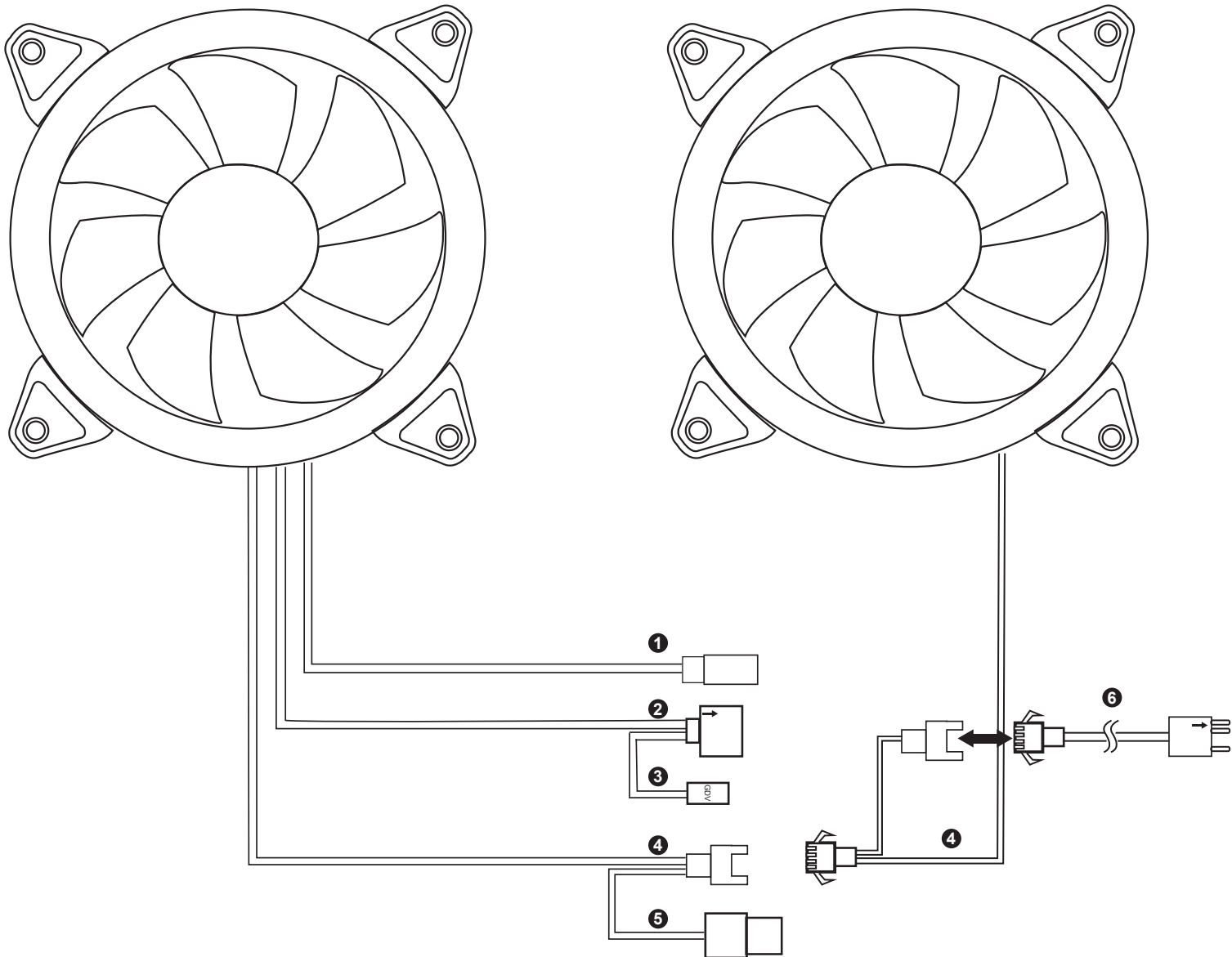
2x120mm fan ports on the top of PSU shroud

# ARGB Control Modes Switching



※ Press the LED button to cycle through different ARGB 13 lighting modes.

# Fan Installation



	CONNECTOR	CONNECTION
①	Reset S/W (2pin)	LED Button
②	ARGB LED 5V (3pin)	Motherboard: MSI™, ASUS™ and ASROCK™
③	ARGB LED 5V (VDG)	Motherboard: Gigabyte™
④	Fan Connector	The master Fan connect to the sub-fan
⑤	Molex	Power Supply
⑥	Sm4p to ARGB(3pin) cable	Other 5V/3pin ARGB devices

※ Press the LED button to cycle through different RGB lighting modes, controlled by the LED button.

※ Hold the LED button for 3 seconds to switch the RGB control function between motherboard RGB software and LED button.