

Neo

USER MANUAL

Installation Instructions

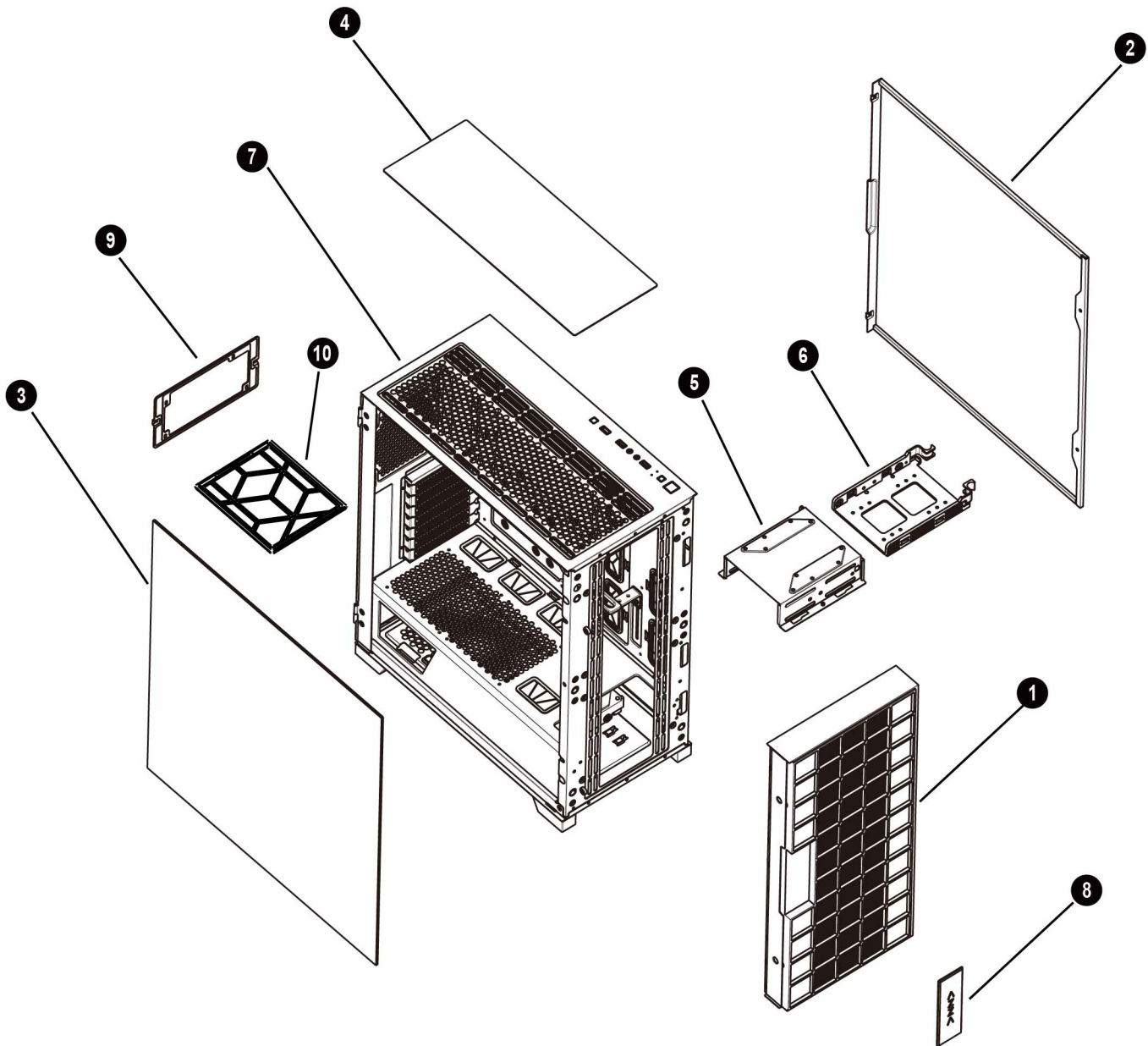
1. Specifications
2. Chassis Parts
3. Control Panel Functions
4. 3.5"/2.5" HDD/SSD Installation
5. Remove the Front Panel Instructions
6. Cooling System Installation
7. Remove the Tempered glass panel Instructions
8. Master Fan & Sub-fan Installation
9. PSU Fans Installation
10. PSU Rack Installation
11. Fan Installation
12. RGB Lighting Switching

Specifications

Model	
Model Name:	Neo
Model Number:	CSAZ-500
Specifications	
Type:	ATX Mid Tower
Color:	Black/Black(interior)
Side Panel Window:	Hinged flip glass side panels
Max CPU Cooler Height:	UP to 170mm
Max Video Card Length:	Up to 390mm long video card
Power Supply:	Not included
Motherboard Compatibility:	EATX(<330mm) \ ATX \ Micro ATX \ ITX
Expansion	
External 5.25" Drive Bays:	0
Internal 2.5" Drive Bays:	Up to 4
Internal 3.5" Drive Bays:	Up to 2
Expansion Slots:	7
Top Ports:	Power button, Reset button, LED button, HD Audio, USB 3.0 x 2, Type C
Physical Specifications	
Dimensions (HxWxD)	490*220*460mm / 19.3*8.7*18.1 inches
Weight:	7.63g /16.8lbs
Features	
Tempered Glass Sides Window:	High-quality tempered glass side window allows for clear visuals to inner components
Addressable RGB Light Effects:	ARGB fans are controlled using the LED button. All addressable RGB devices can sync with the motherboard, allowing the motherboard software to control lighting directly.
Available Fan Ports:	3x120mm or 3x140mm fan ports in the front (3x120mm LFO-4412D ARGB fan included) 3x120mm or 2x140mm fan ports on the top 2x120mm fan ports on top of PSU shroud 1x120mm fan port in the rear (1x120mm LFO-4412D ARGB fan included)
Water Cooling:	Supports radiators up to 280/360mm on the top Supports radiators up to 280/360mm in the front
Dust Filters:	Removable (magnetic) dustproof net on the top , dust filter on bottom of chassis.
Power Supply Support:	Bottom mounted ATX Power Supply
Others Features:	Can adjust the video card holder to fit your system needs.

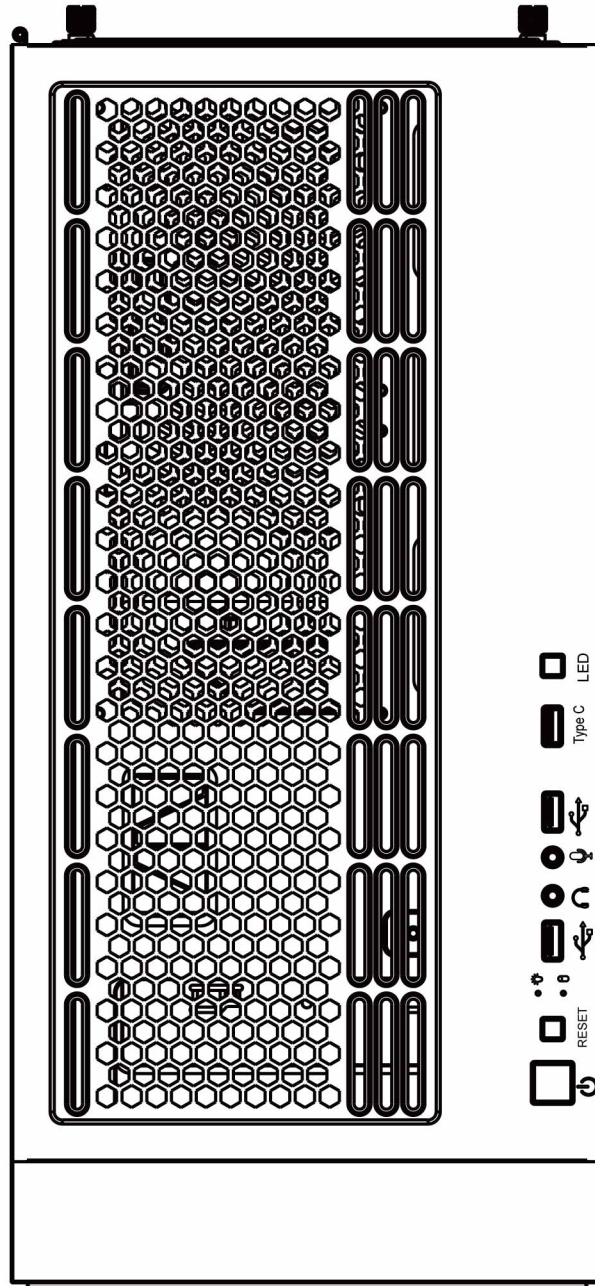
※ PWM Fan: The model comes with PWM fans and will run at top speed unless connected to a motherboard or controller.

Chassis Parts

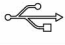





1	Front panel
2	Metal side panel
3	Tempered glass panel
4	Removable magnetic mesh
5	Hard disk cage
6	3.5" HDD/ 2.5" SSD brackets
7	Chassis
8	Logo panel
9	Power supply rack
10	Dust filter mesh

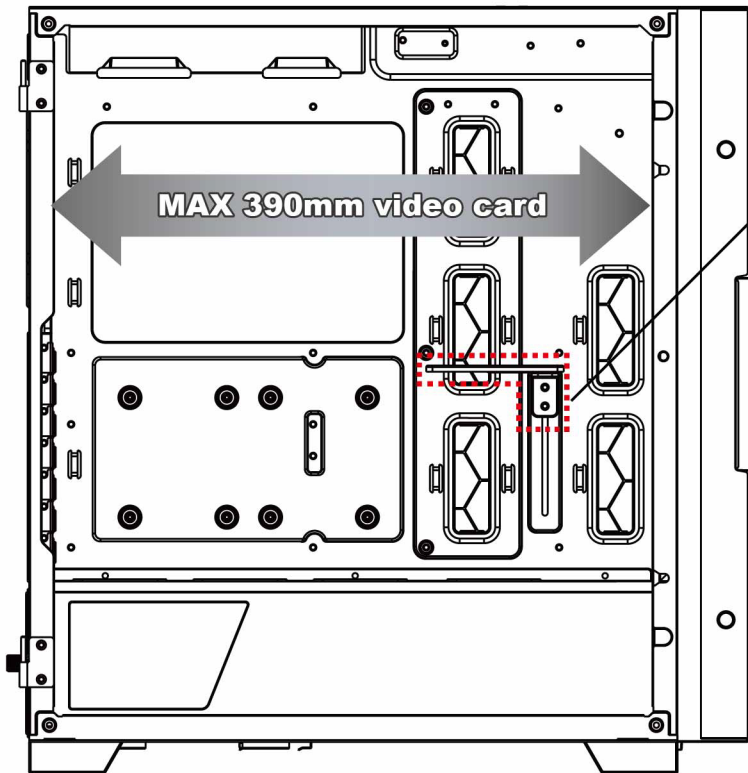
Control Panel Functions



	POWER
	Reset
	Mic
	Audio

	USB 3.0
	USB 3.0
	Type C
	LED

3.5" / 2.5" HDD/SSD Installation

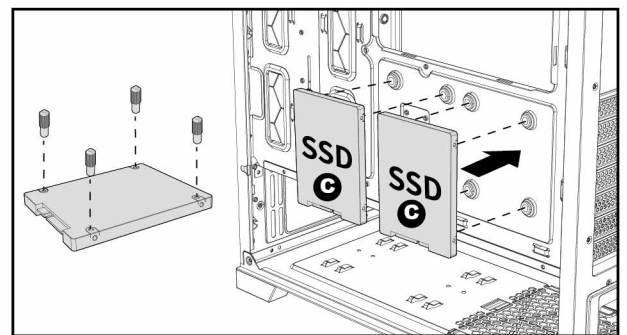
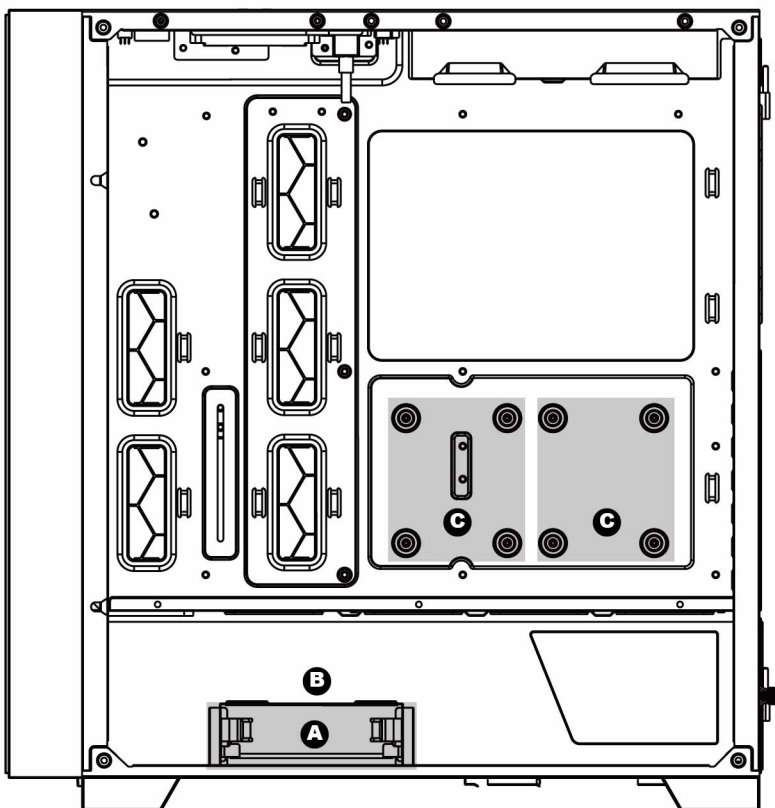


▪VGA Holder.

▪Supports up to 390mm long video cards.



or

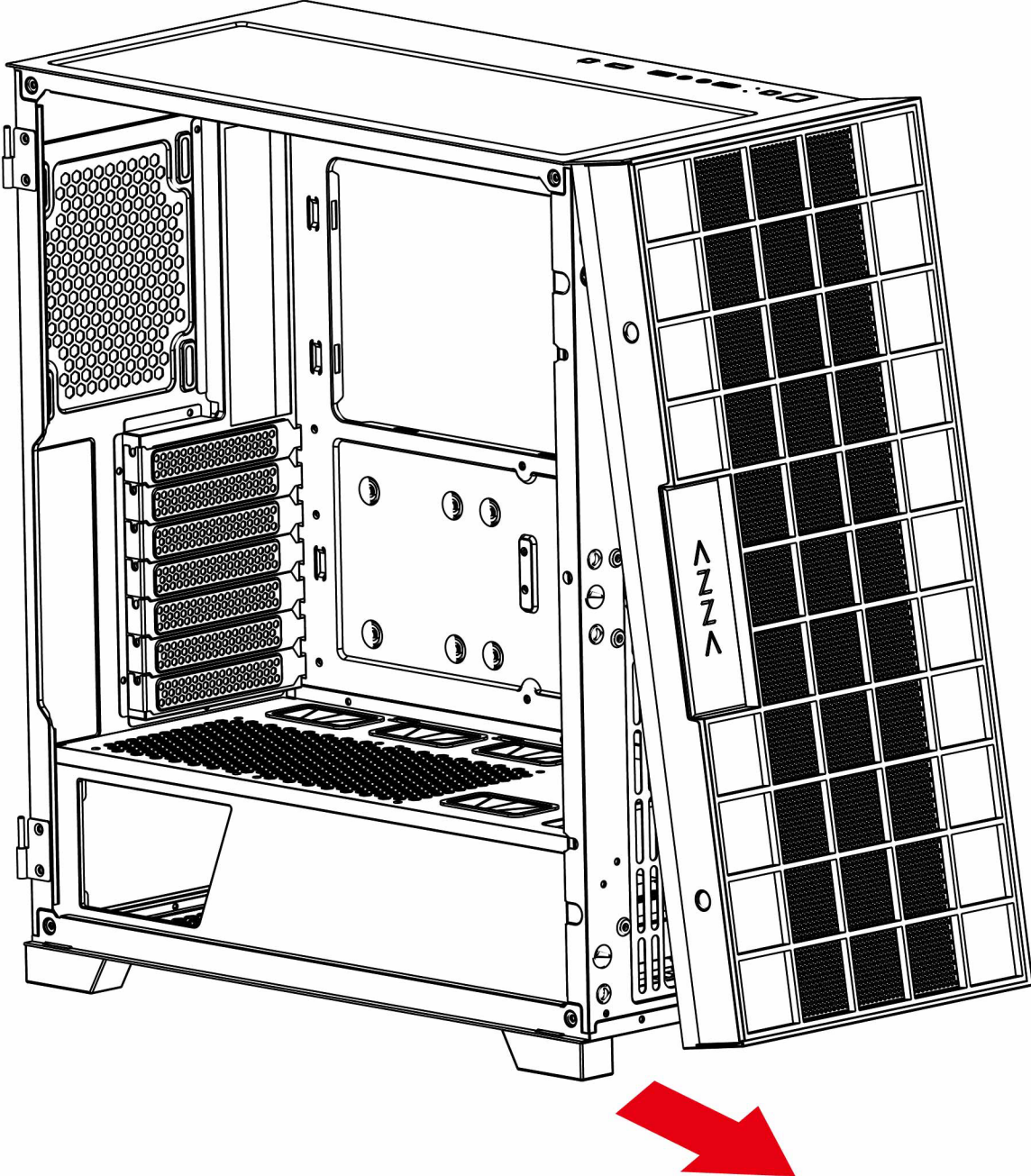


▪Multifunctional hard disk bracket support
3.5" HDD or 2.5" SSD x 1 (**A**)

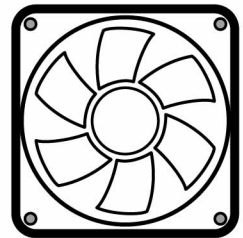
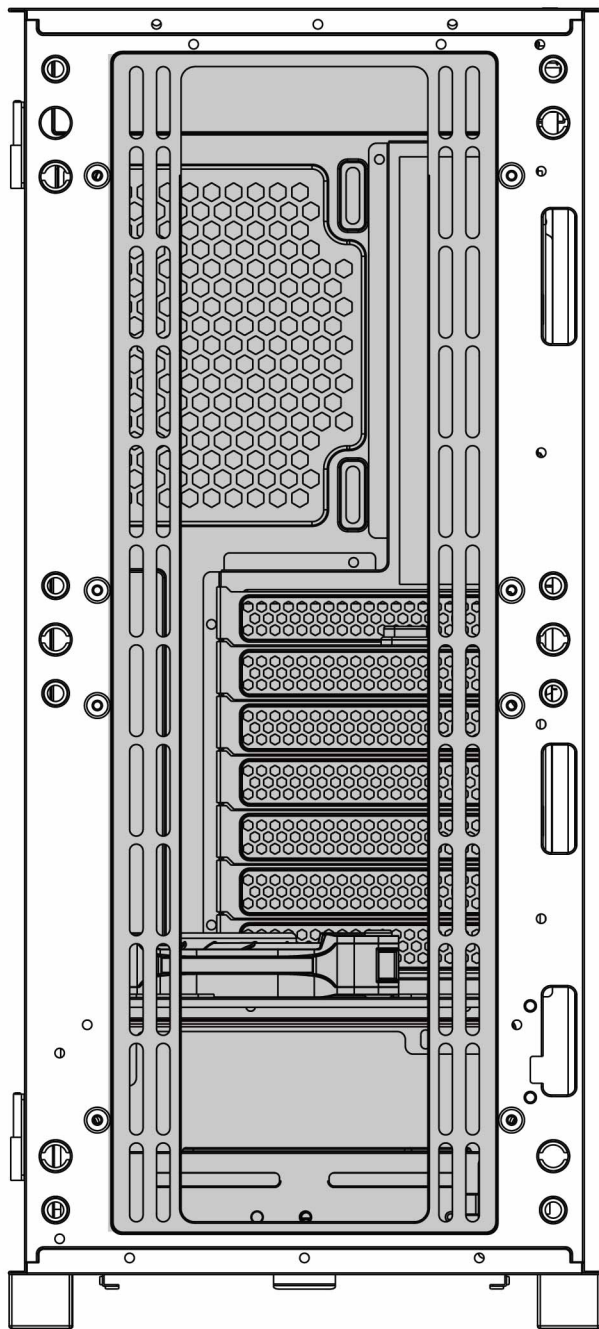
▪Multifunctional hard disk hole support
2.5" SSD x 2 (**C**)

▪Multifunctional hard disk cage support
3.5" HDD or 2.5" SSD x 1(**B**)

Remove the Front Panel Instructions

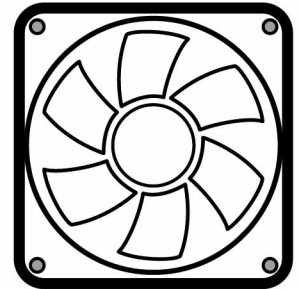


Front



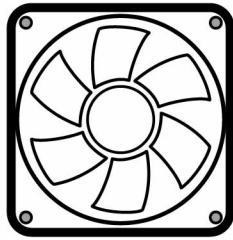
120mm x3

or



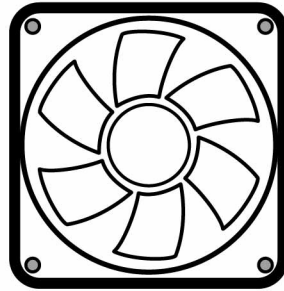
140mm x3

Top

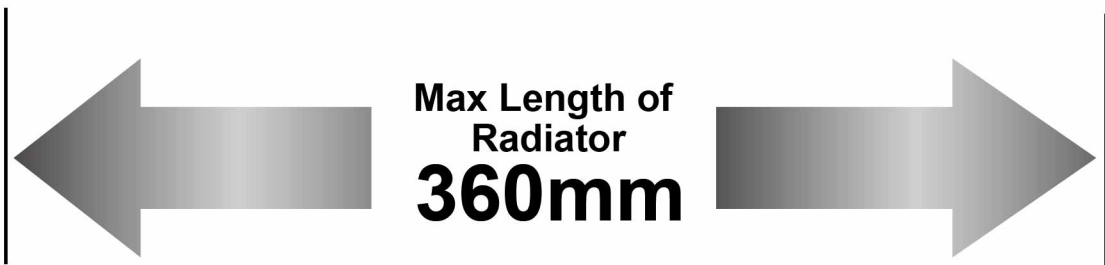
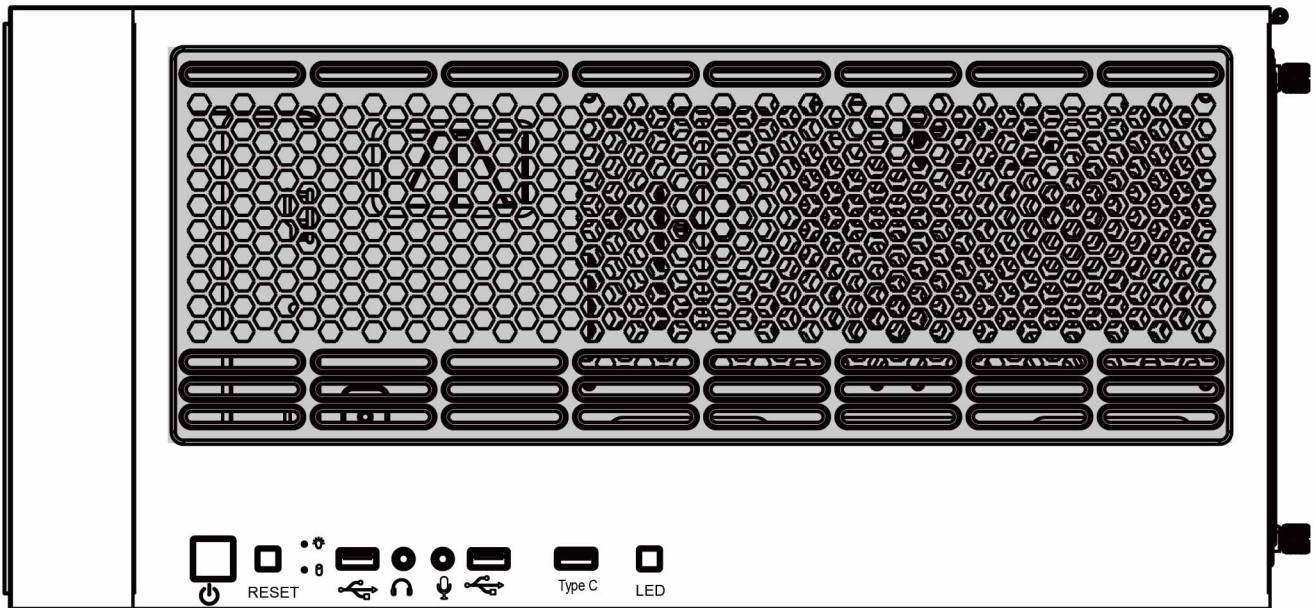


120mm x3

or

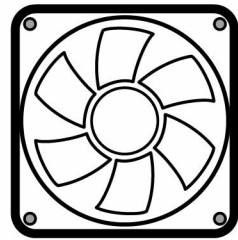
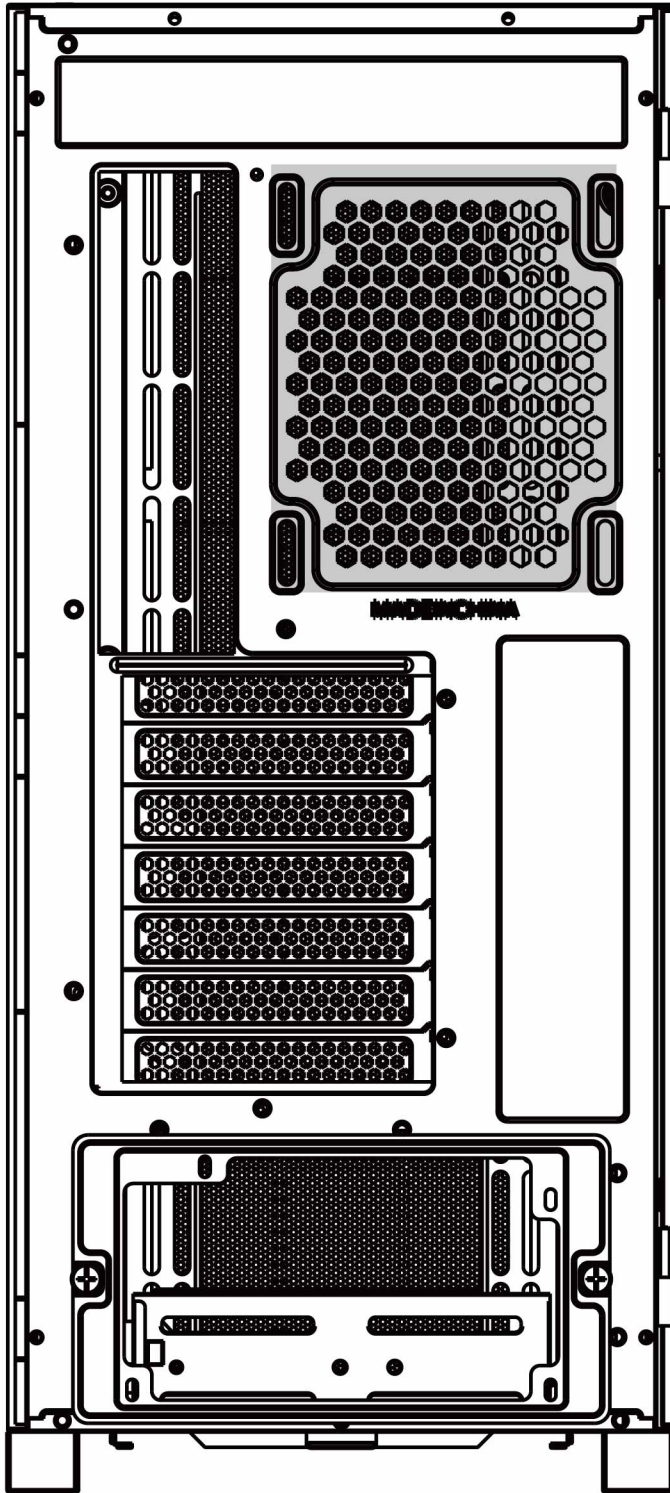


140mm x2



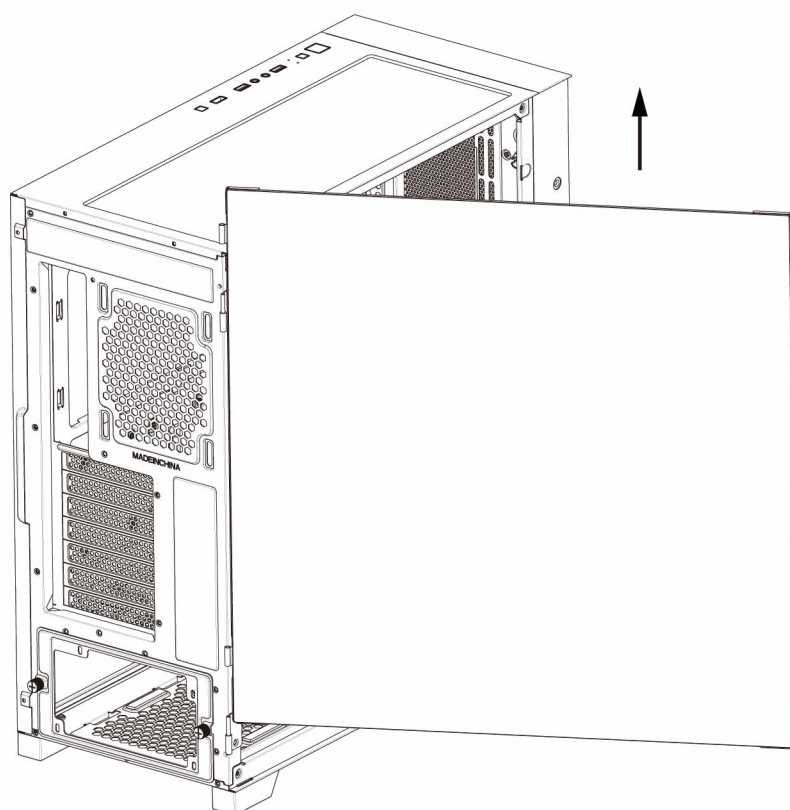
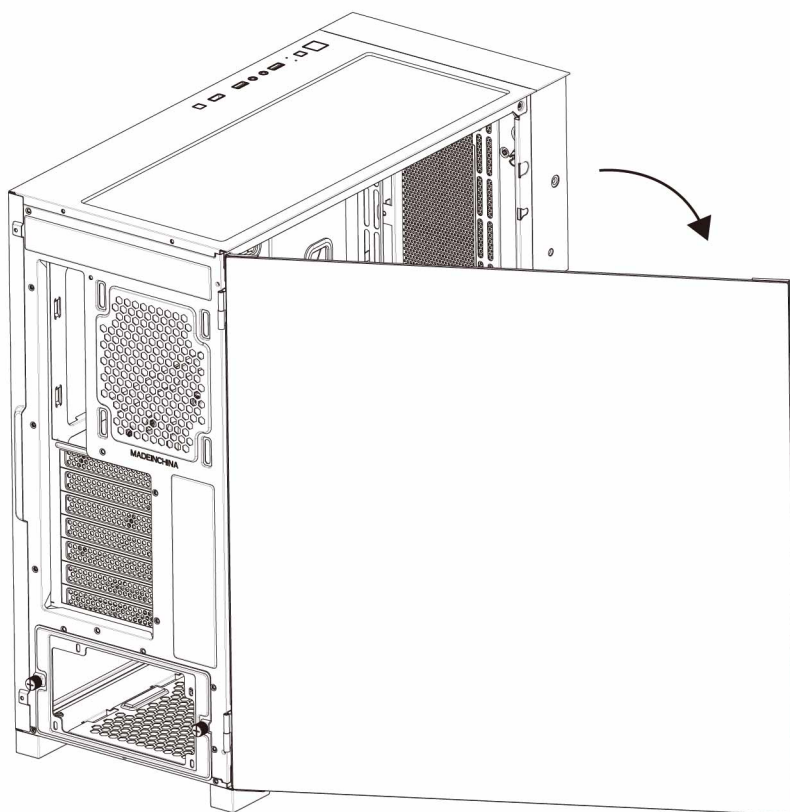
Max Length of
Radiator
360mm

Rear

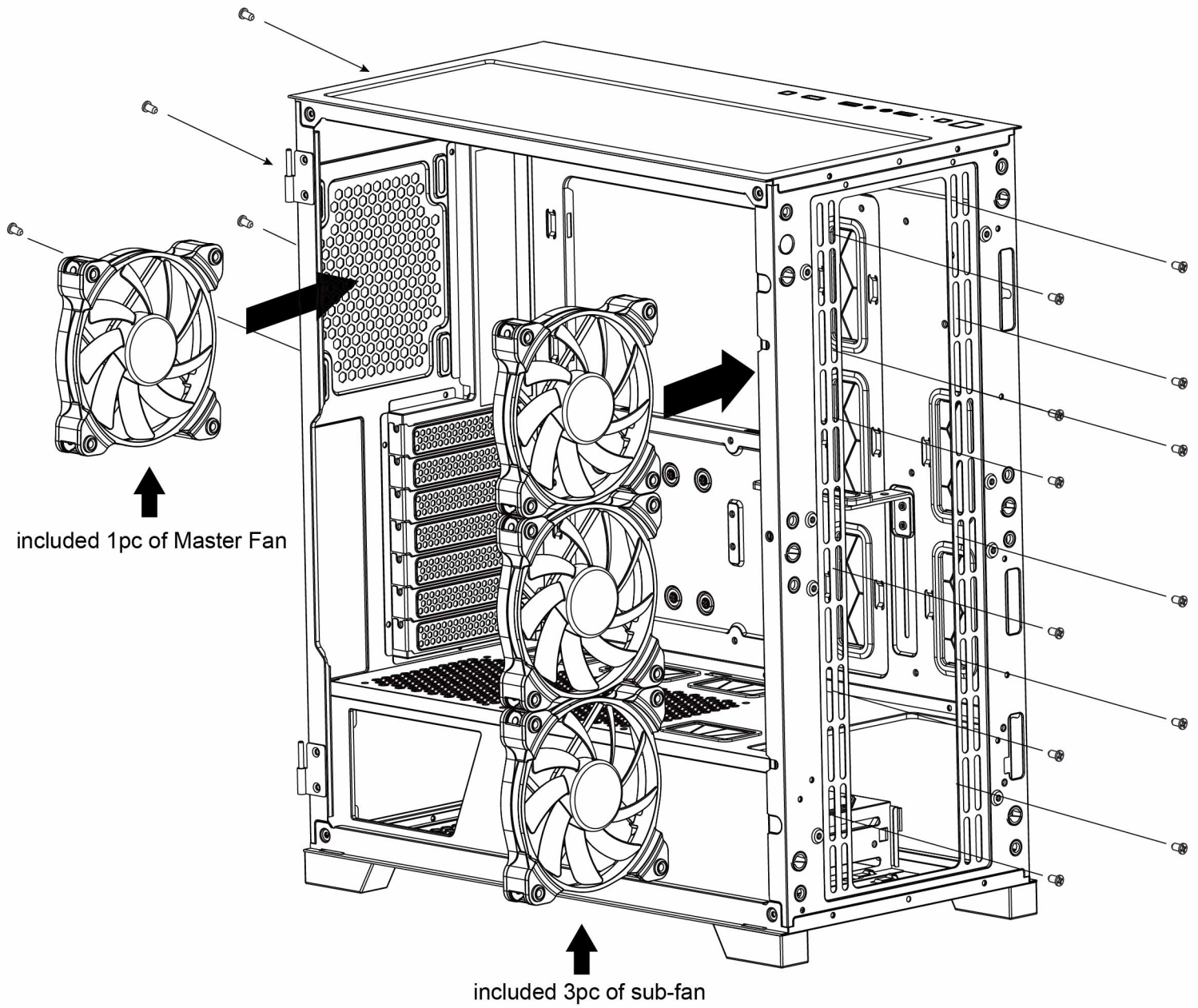


120mm x 1

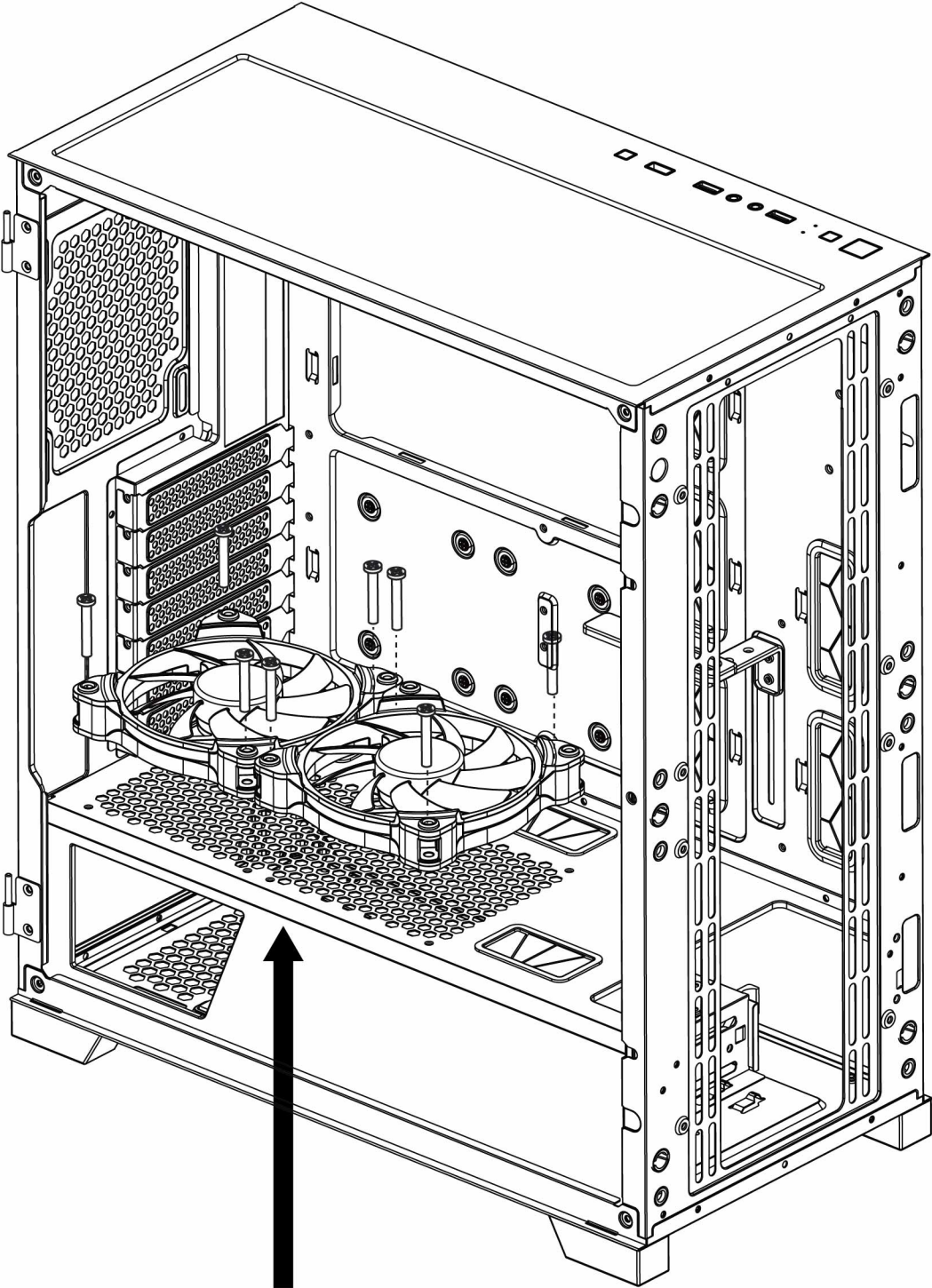
Remove the Tempered glass panel Instructions



Master Fan & Sub-fan Installation

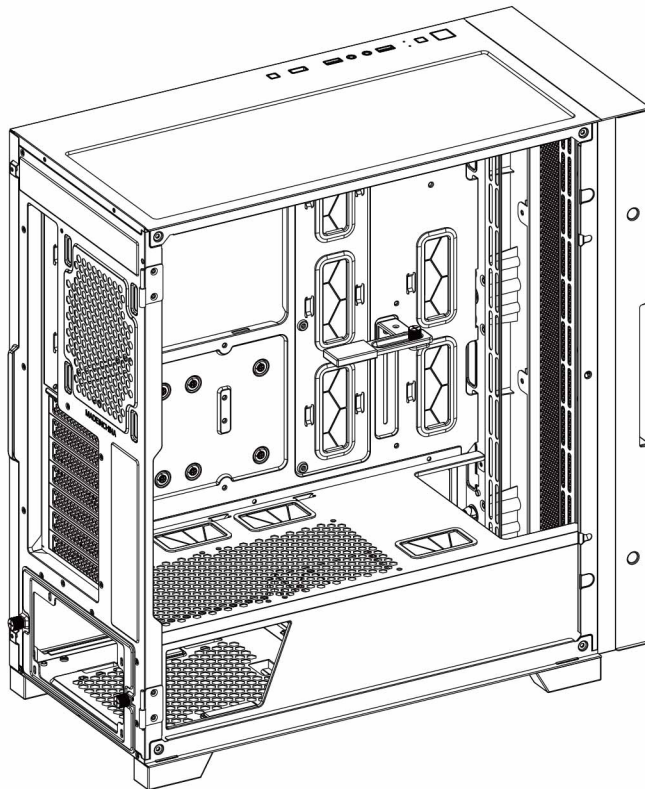
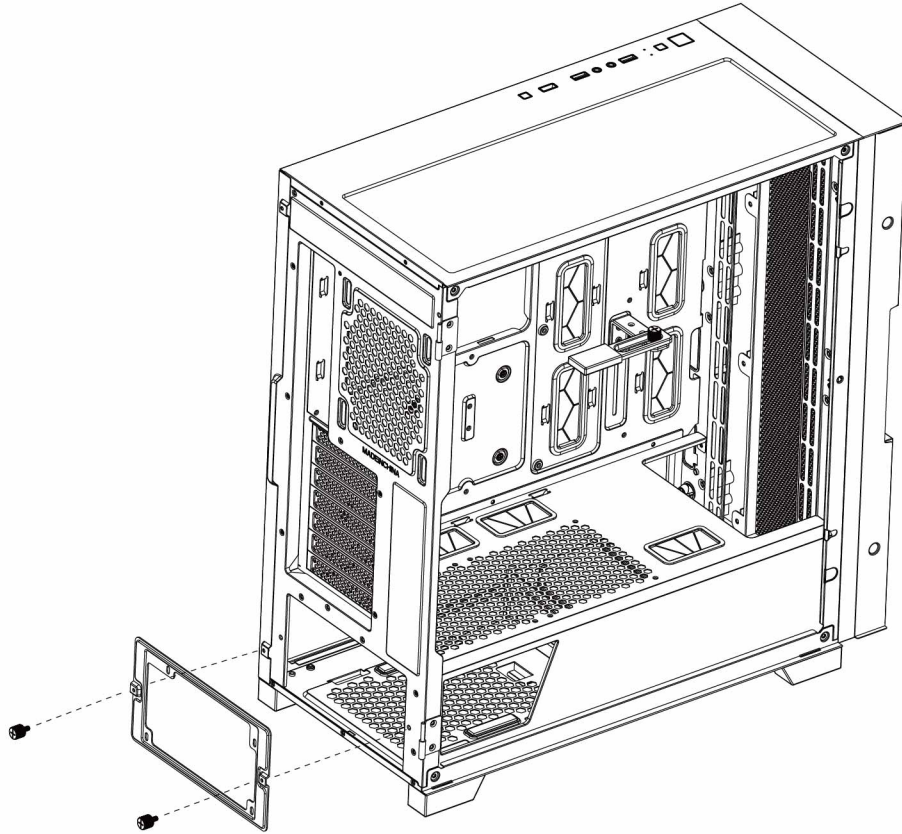


PSU Fans Installation

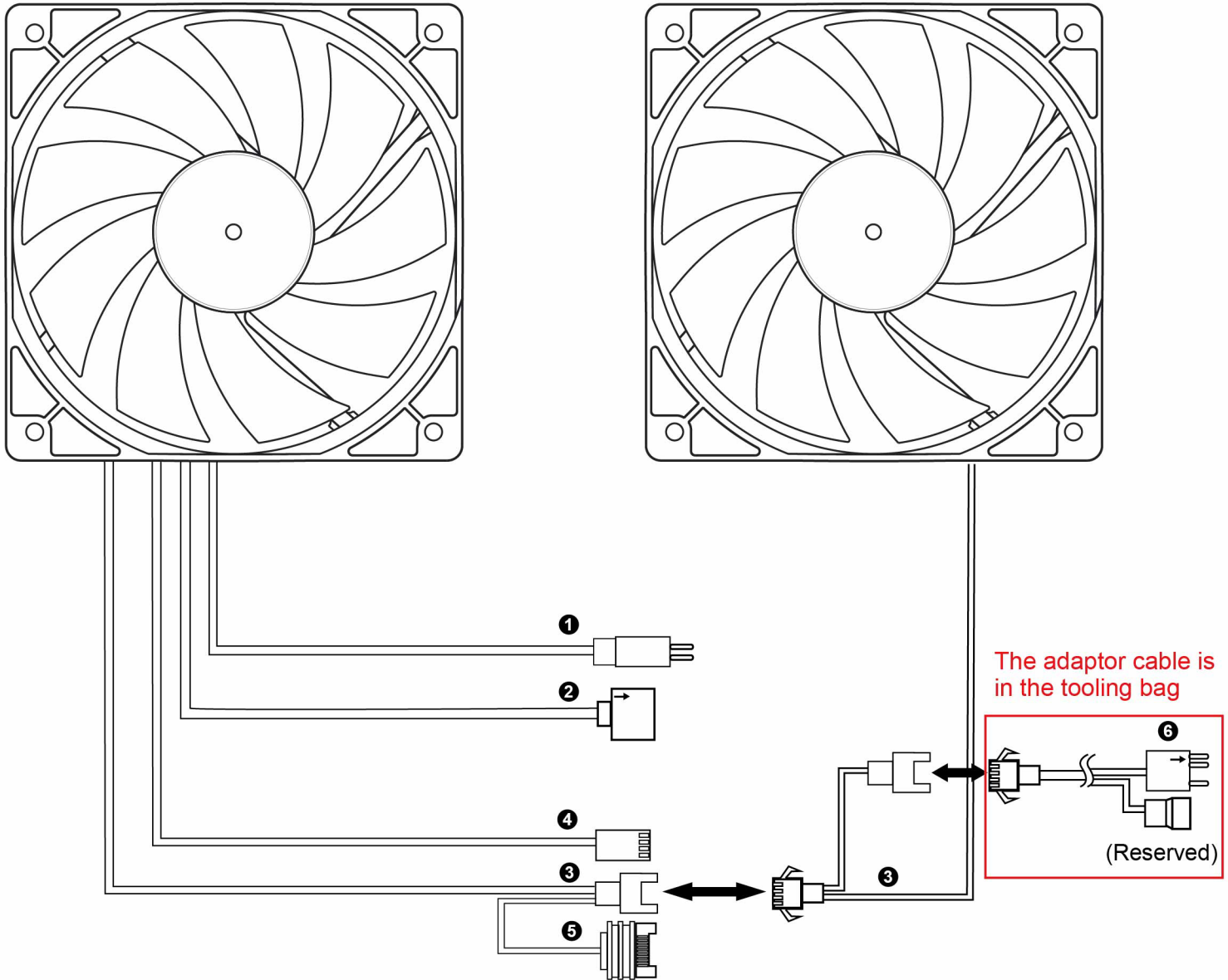


2x120mm fan ports on the Power Supply Shroud

PSU Rack Installation



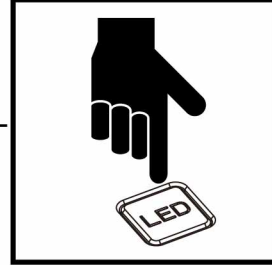
Fan Installation



	CONNECTOR	CONNECTION
①	Reset (LED) S/W (2pin)	LED Button
②	ARGB LED 5V (3pin) female connector	The 5V/3pin ARGB socket of the motherboard
③	Fan Connector	The master Fan connect to the sub-fan
④	Fan Connector PWM (4pin)	CHA_FANx socket of the motherboard
⑤	SATA	Power Supply
⑥	ARGB LED 5V (3pin) male connector	Other 5V/3pin ARGB devices

- ※ Before the fan starts, please make sure the PWM connector ④ and SATA connector ⑤ each are connected.
- ※ Press the LED button to cycle through different RGB lighting modes, all ARGB devices are controlled by the LED button. (make sure the other 3pin ARGB devices are connected with ⑥)
- ※ Ensure ② insert the motherboard, and hold the LED button for 3 seconds to switch the RGB control function to the motherboard RGB sync. software. Press 1 second LED button, and switch the RGB control function to the LED button.

RGB Lighting Switching



- Press the LED button to cycle through different RGB lighting modes.

