

AUGMENT

COMPUTER CASE

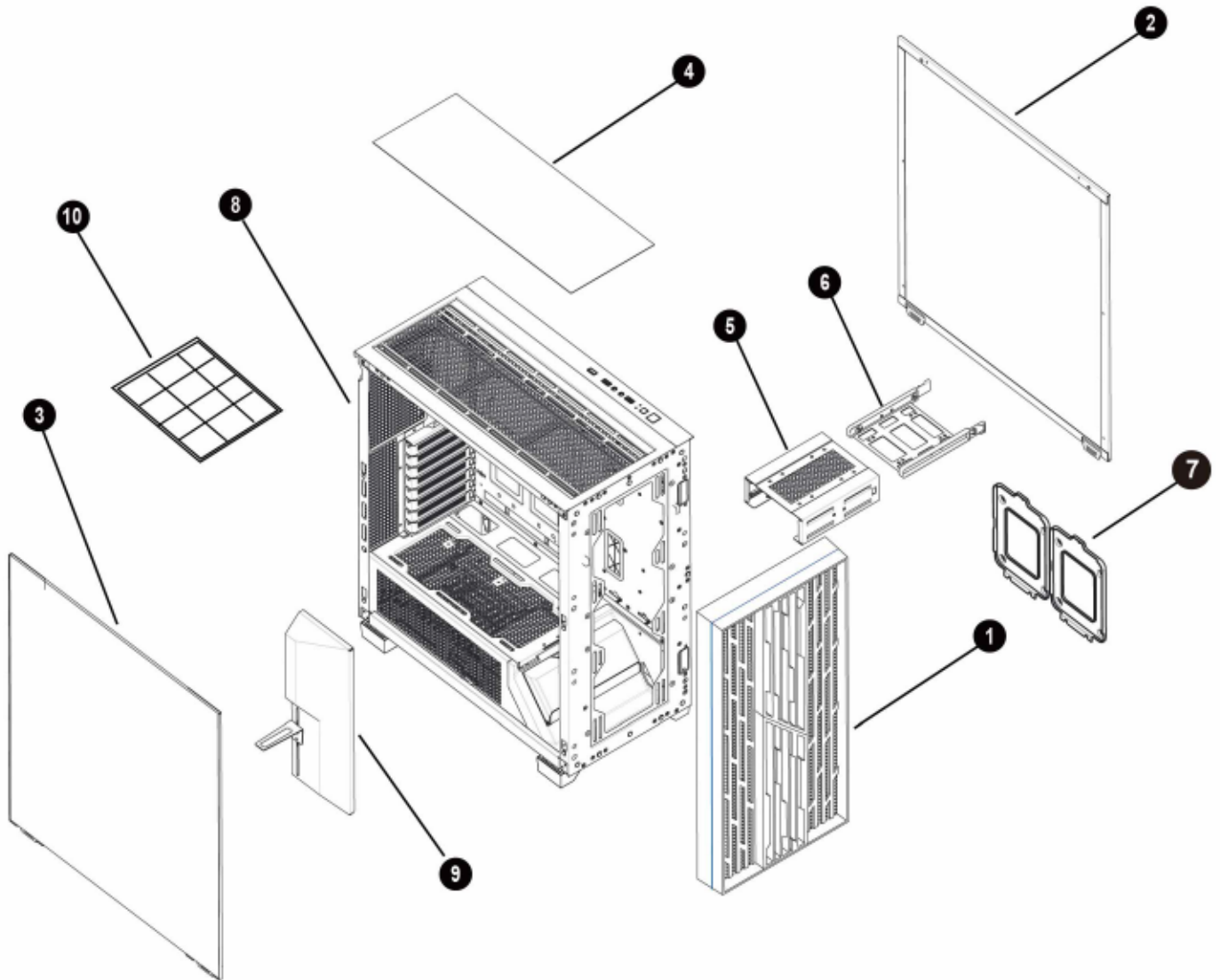
USER MANUAL

1. Specifications
2. Chassis Parts
3. Control Panel Functions
4. 3.5"/2.5" HDD/SSD Installation
5. Remove the Front panel
6. Remove the left glass side panel
7. Cooling System Installation
8. Fan Installation
9. Power Supply Shroud Fans Installation
10. RGB Lighting Switching
11. ARGB IC Board Installation

Specifications

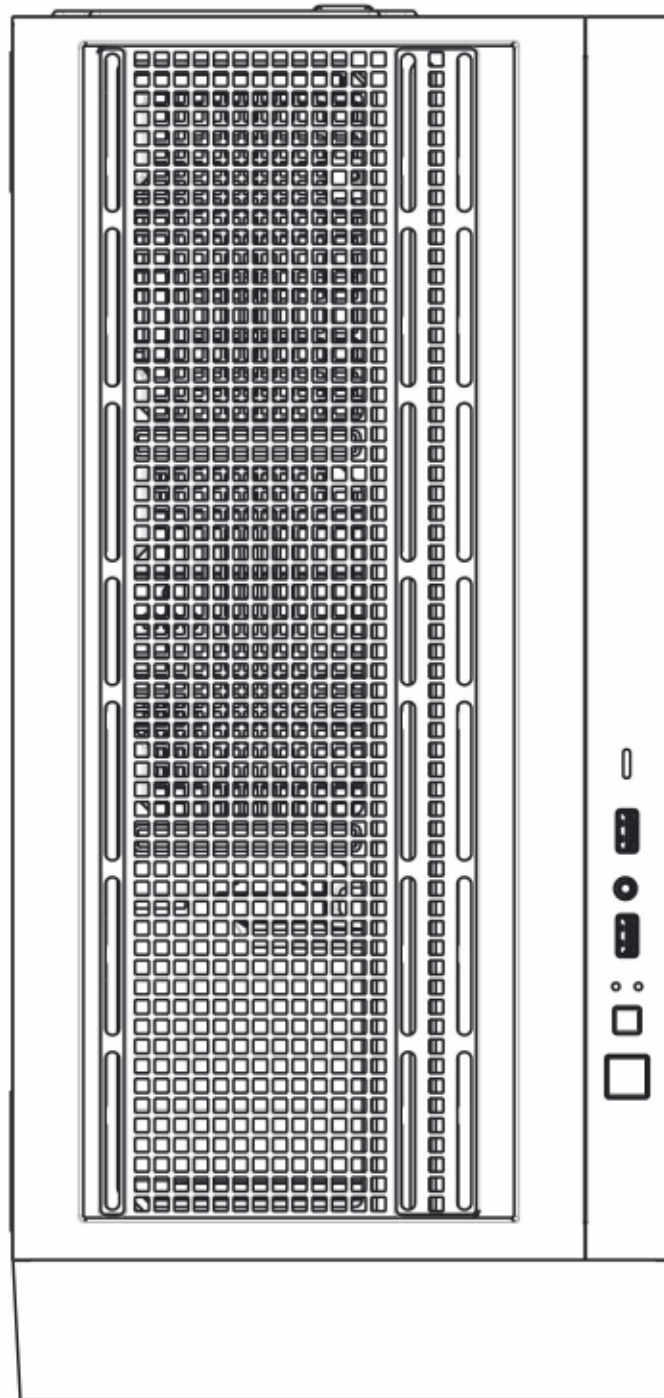
Model	
Model Name:	AUGMENT
Model Number:	CSAZ-510
Specifications	
Type:	ATX Full Tower
Color:	Black/Black(interior)
Side Panel Window:	Left side panel: toolless mounting glass panel Right side panel: toolless mounting Flat metal
Max CPU Cooler Height:	UP to 180mm
Max Video Card Length:	Up to 420mm long video card
Power Supply:	Not included
Motherboard Compatibility:	EATX(<277mm) / ATX / Micro ATX / ITX
Expansion	
External 5.25" Drive Bays:	0
Internal 2.5" Drive Bays:	Up to 4
Internal 3.5" Drive Bays:	Up to 1
Expansion Slots:	8
Top Ports:	Power button, LED button, HD Audio, USB 3.0 x 2, Type-C
Physical Specifications	
Dimensions (HxWxD)	610X320X580mm /24X12.6X22.8 inches
Weight:	10.1kg /22.3 lbs
Features	
Tempered Glass Sides Window:	High-quality tempered glass side window allows for clear visuals to inner components
Addressable RGB Light Effects:	Addressable RGB devices connected to the ARGB control board can be controlled with the LED button or motherboard lighting software.
Available Fan Ports:	3x120mm or 3x140mm Fan ports in the front(3x120mm LFO-4612D ARGB fan included) 3x120mm or 3x140mm Fan ports on the top 1x120mm Fan port in the rear (1x120mm LFO-4312D ARGB fan included) 2x120mm Fan ports on the Power Supply Shroud
Water Cooling:	Supports radiators up to 280/360mm on the top Supports radiators up to 360/420mm in the front
Dust Filters:	Removable dustproof net on the top,dust filter on bottom of chassis.
Power Supply Support:	Bottom mounted ATX Power Supply



Chassis Parts






1	Front panel
2	Metal side panel
3	Tempered glass panel
4	Removable magnetic mesh
5	Hard disk cage
6	3.5" HDD/ 2.5" SSD brackets
7	2.5" SSD tray x 2
8	Chassis
9	VGA Holder
10	Dust filter mesh

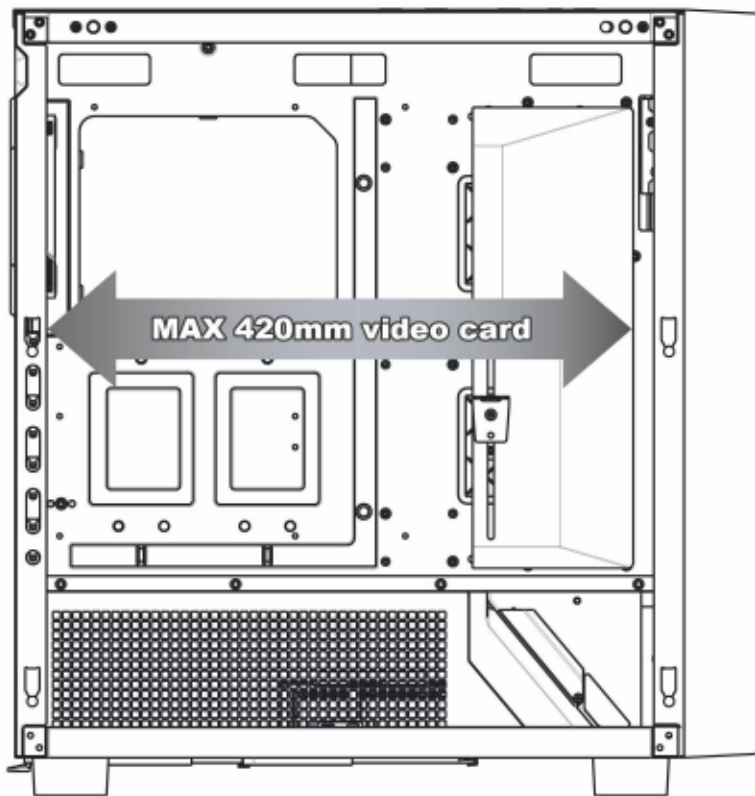
Control Panel Functions



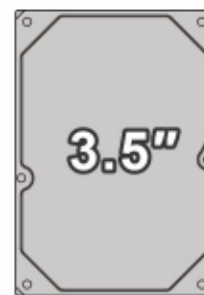
	POWER
	LED
	HD Audio

	USB 3.0
	USB 3.0
	Type-C

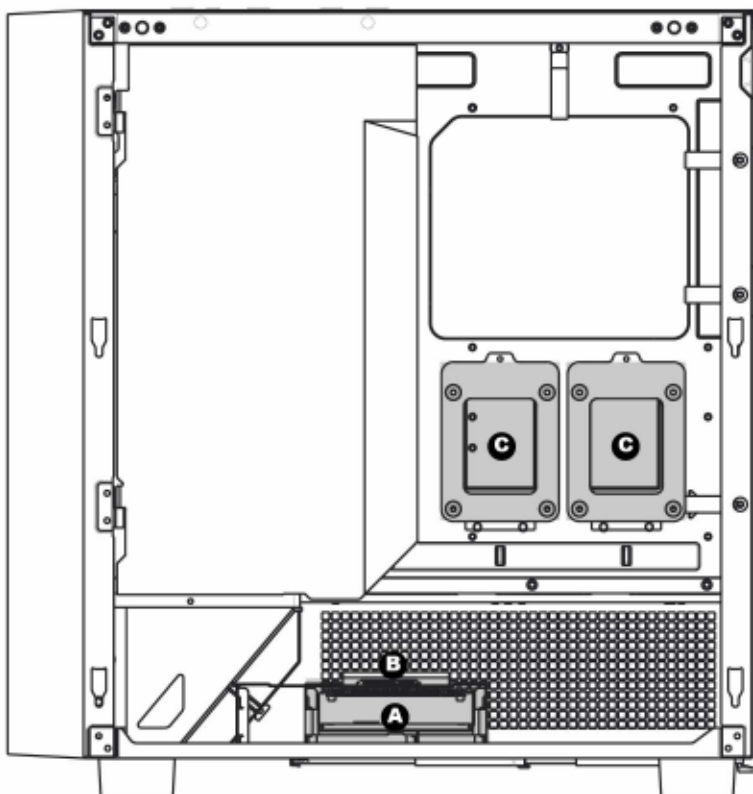
3.5" / 2.5" HDD/SSD Installation



- Supports up to 420mm long video cards.

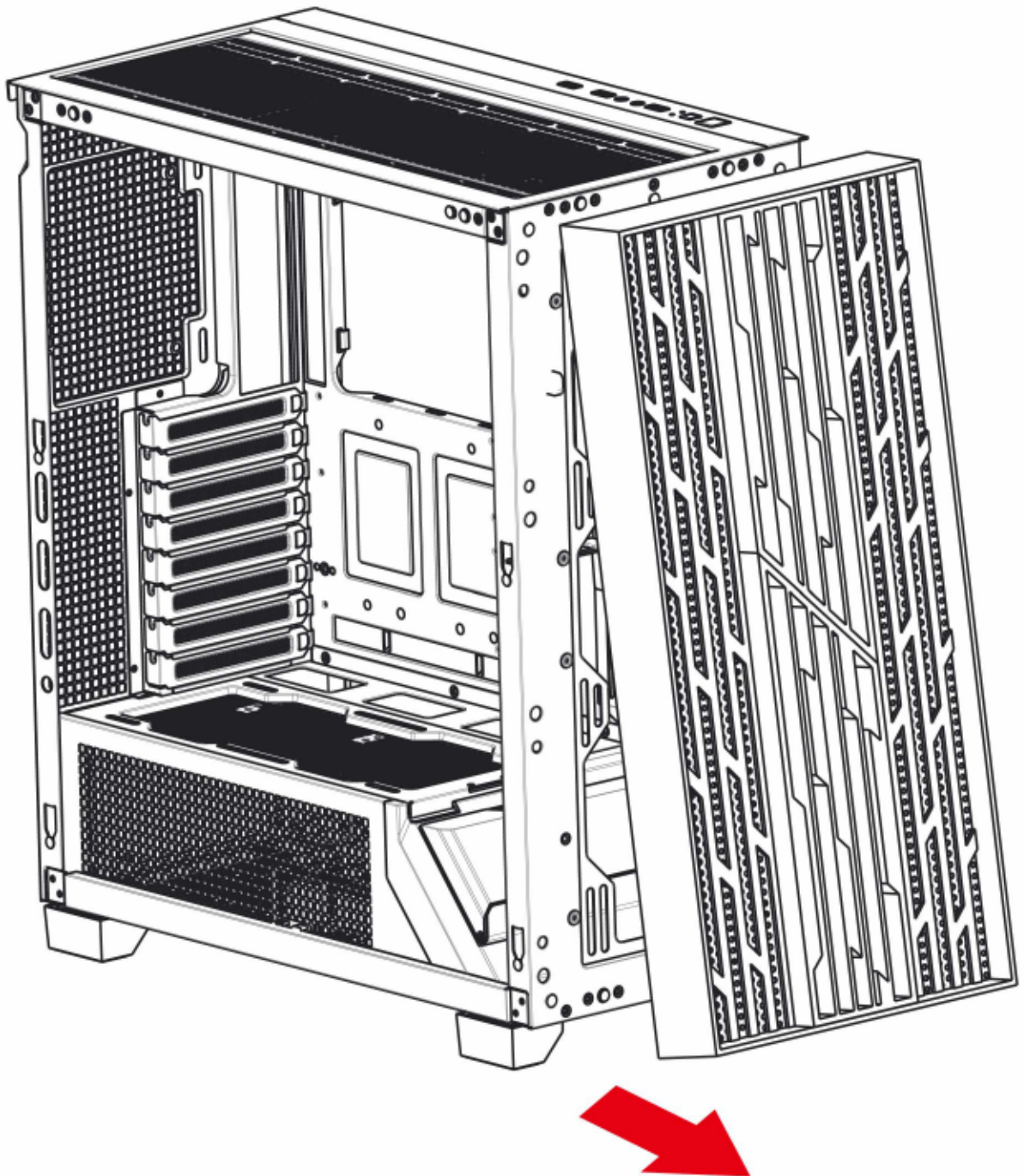


or

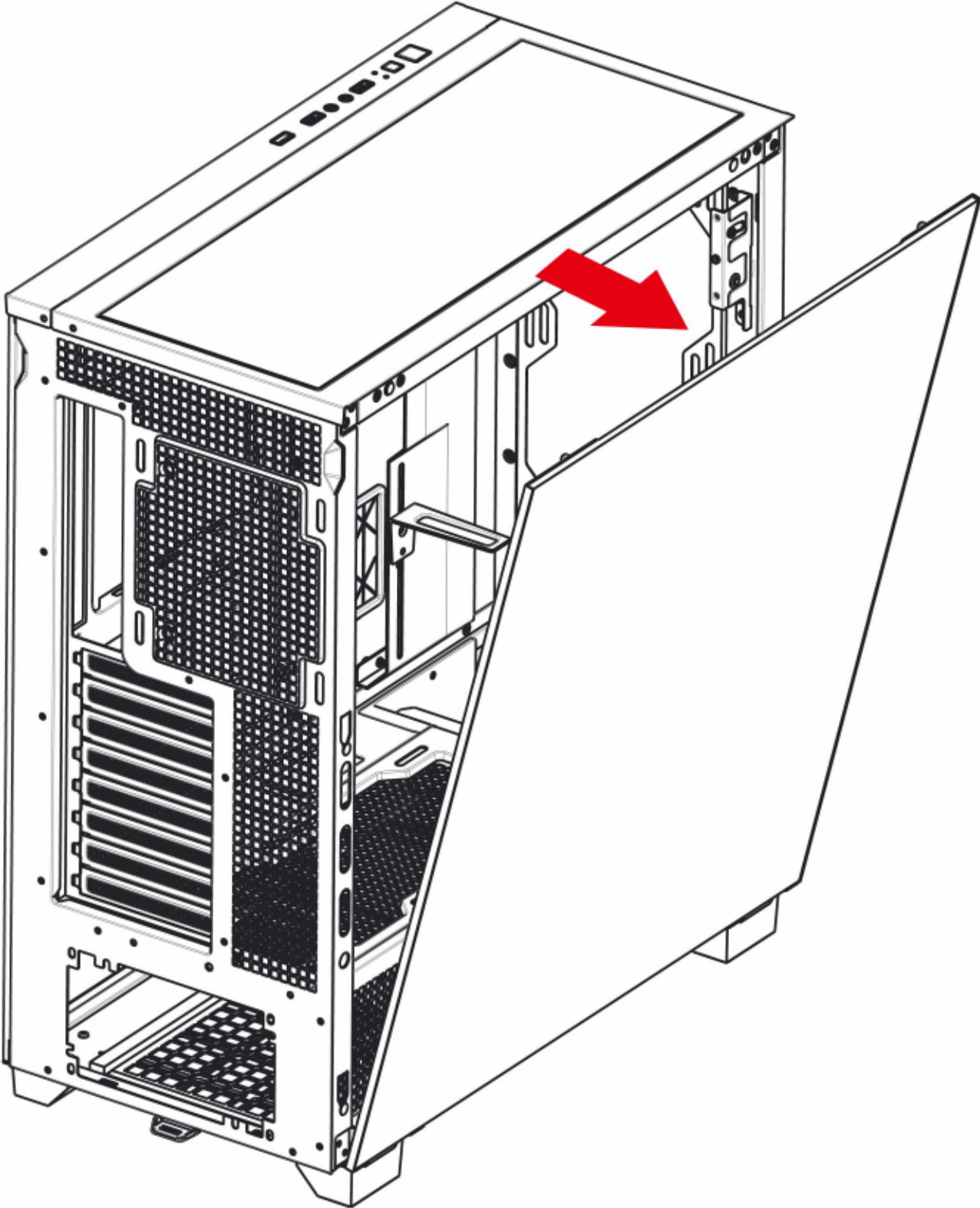


- Multifunctional hard disk bracket support
3.5" HDD or 2.5" SSD x 1 (**A**)
- 2.5" SSD metal tray support 2.5" SSD x 2
(**C**)
- Multifunctional hard disk cage support
2.5" SSD x 1 (**B**)

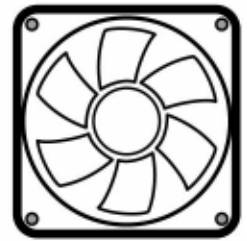
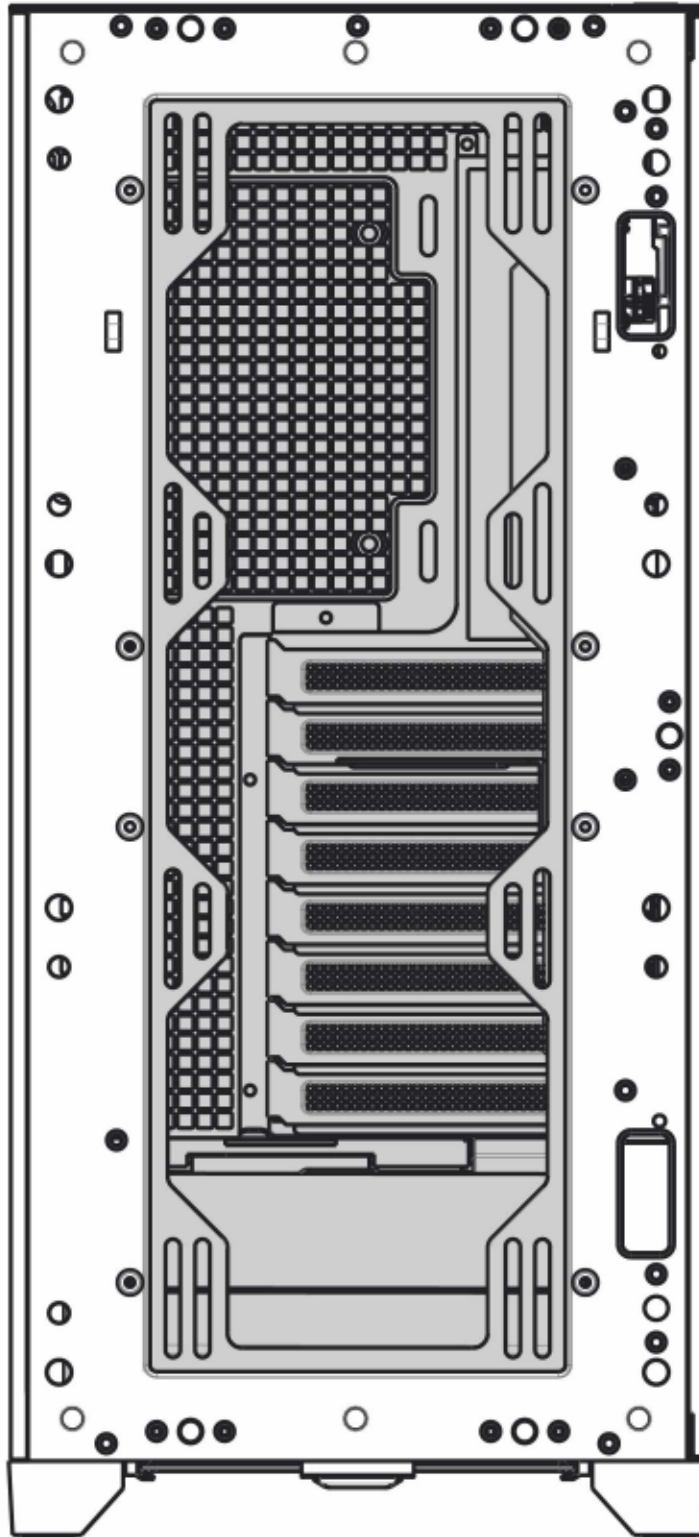
Remove the Front panel



Remove the left glass side panel

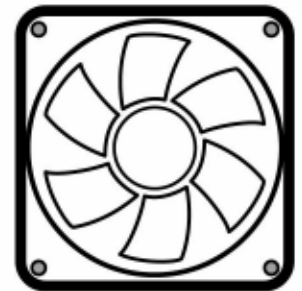


Front



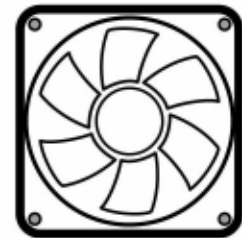
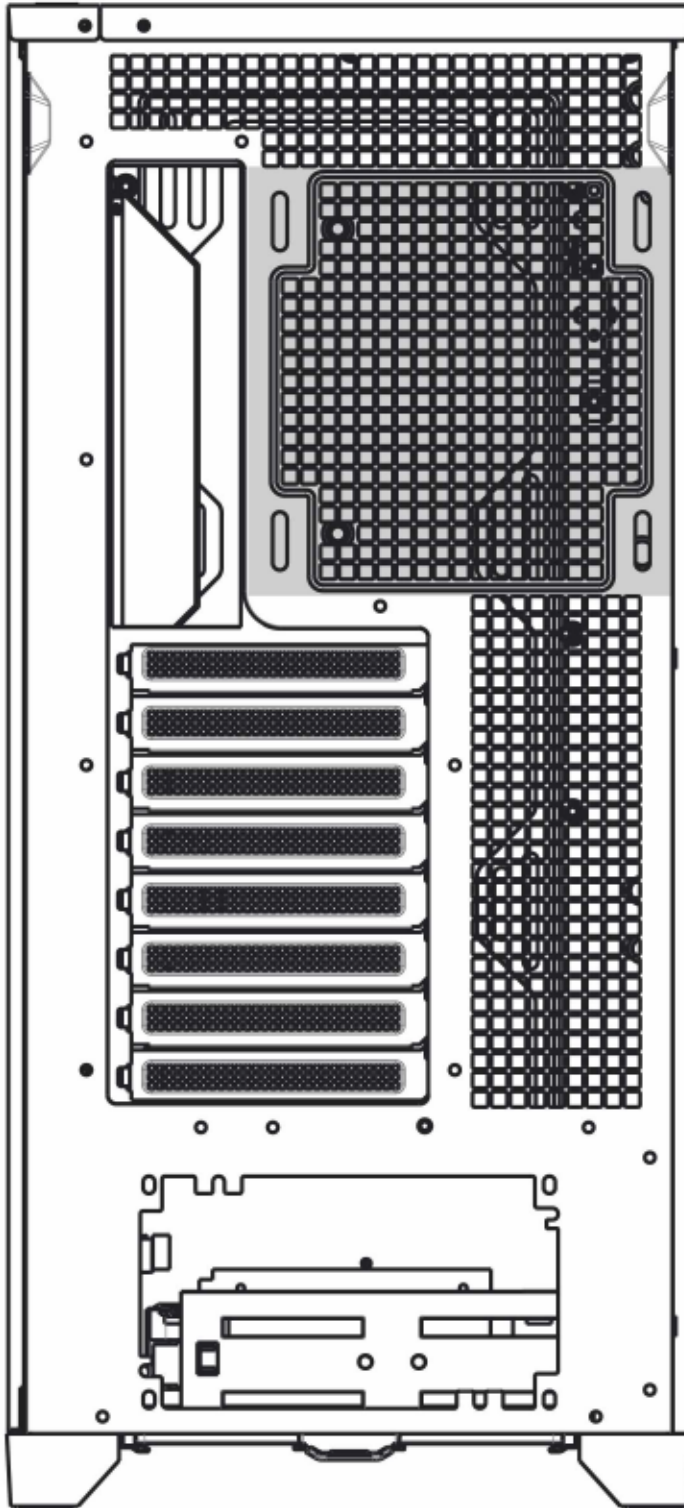
120mm x3

or



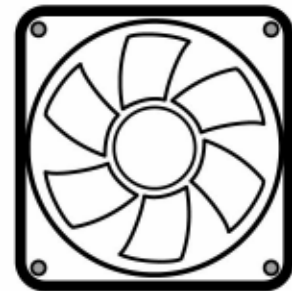
140mm x3

Rear



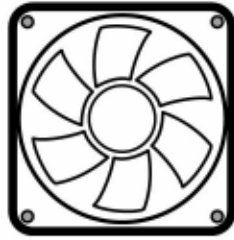
120mm x1

or



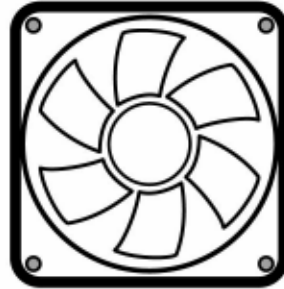
140mm x1

Top

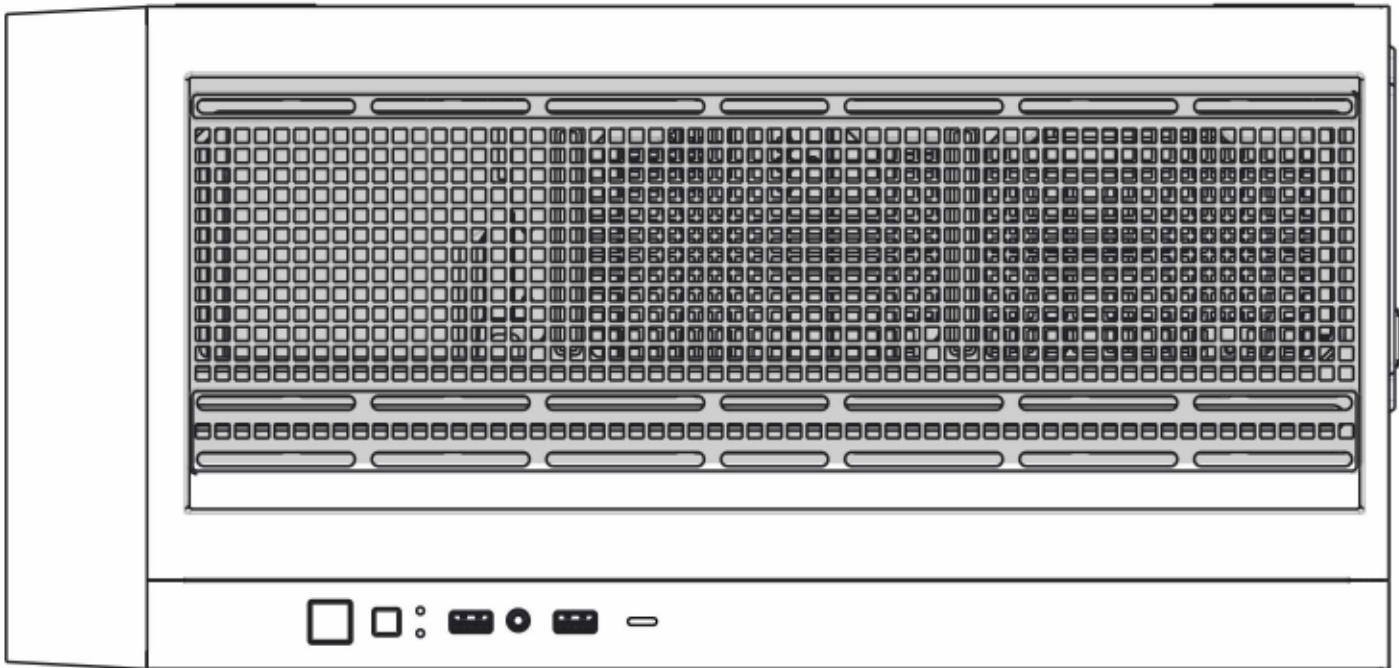


120mm x3

or

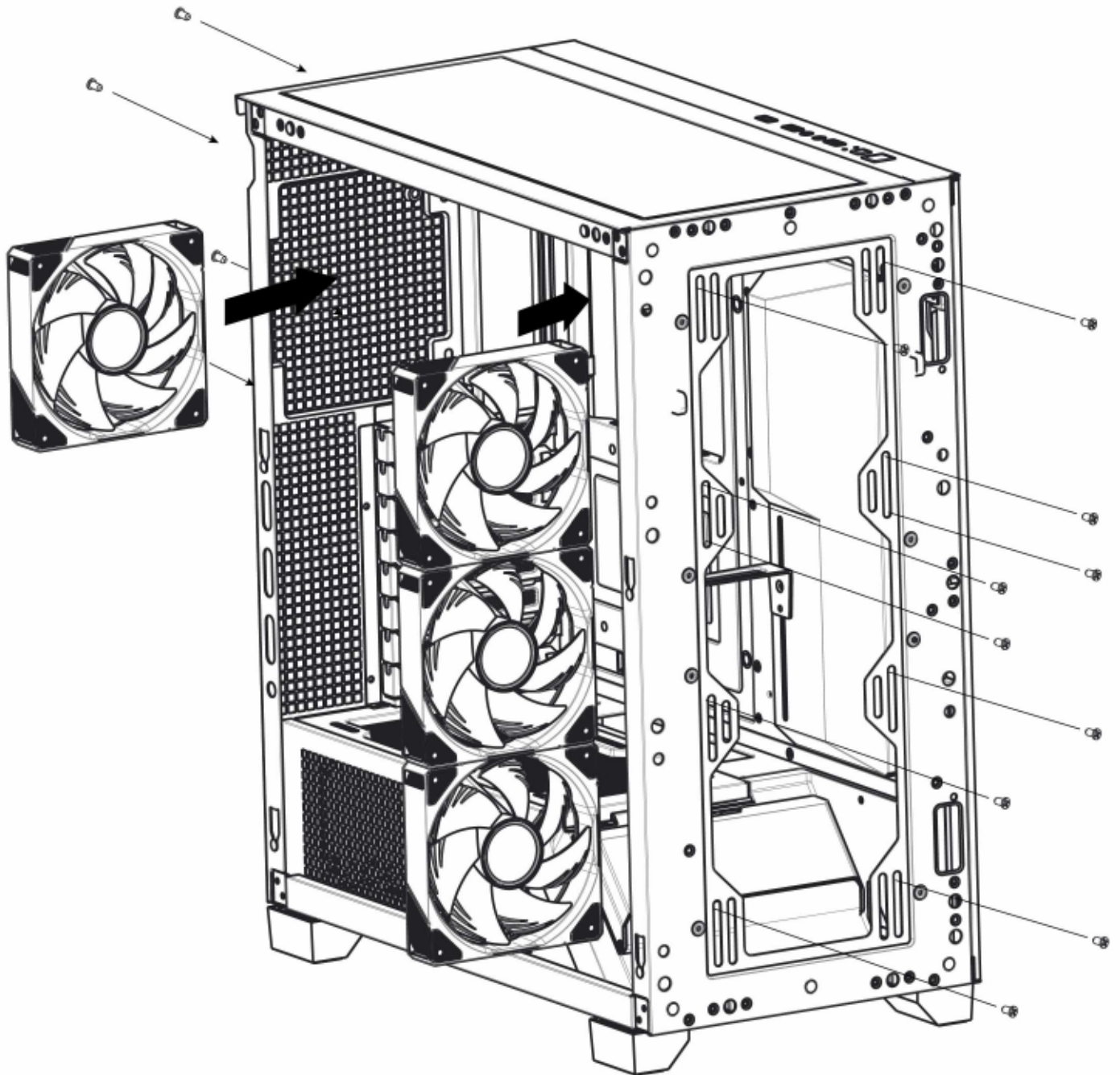


140mm x3

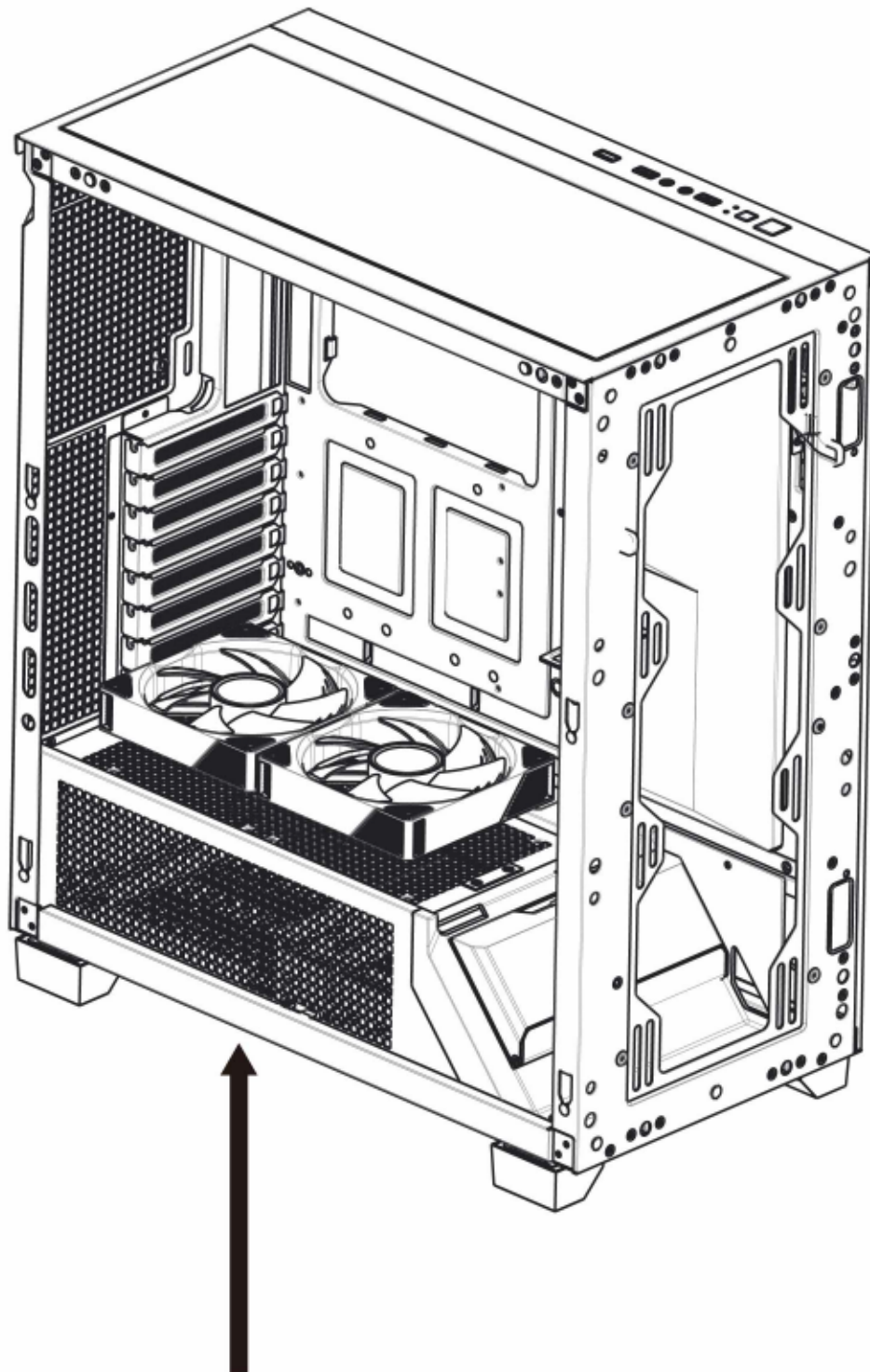


Max Length of
Radiator
360mm

Fan Installation

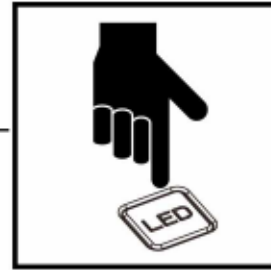


Power Supply Shroud Fans Installation

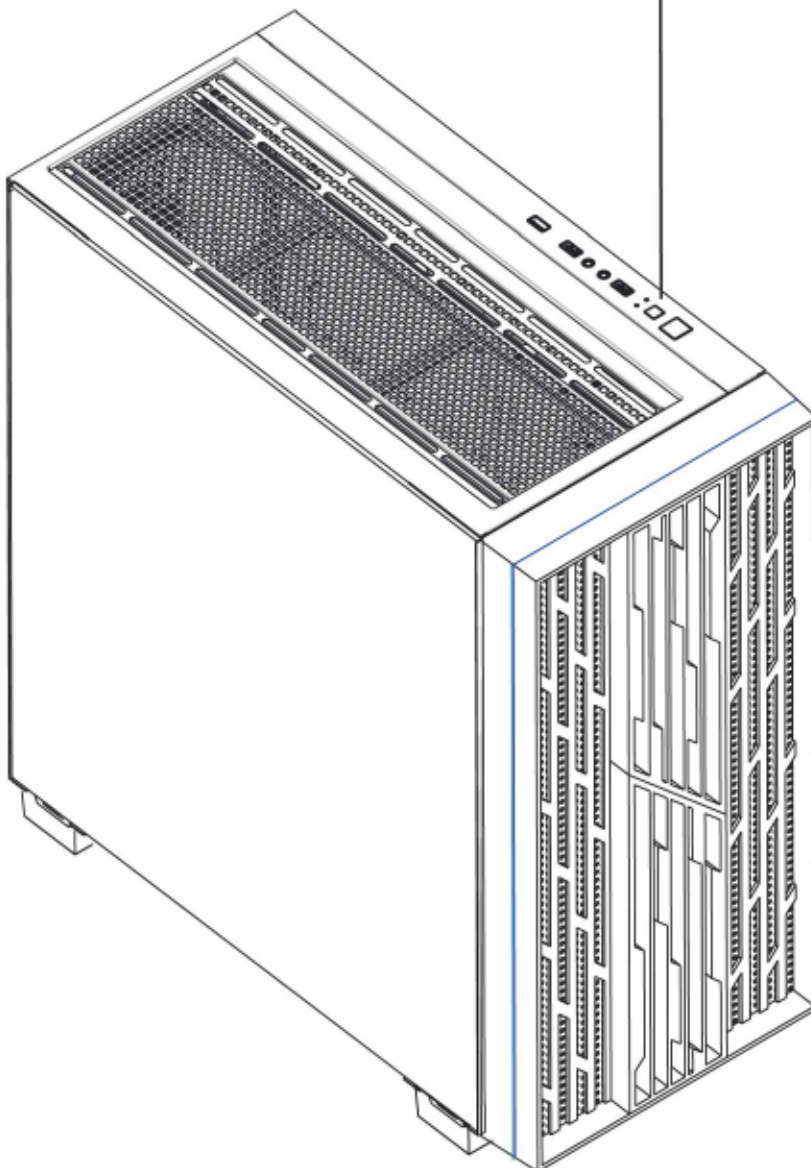


2x120mm fan ports on the Power Supply Shroud

RGB Lighting Switching

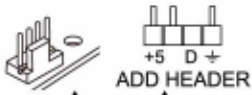


- Press the LED button to cycle through different RGB lighting modes.



ARGB IC Board Installation

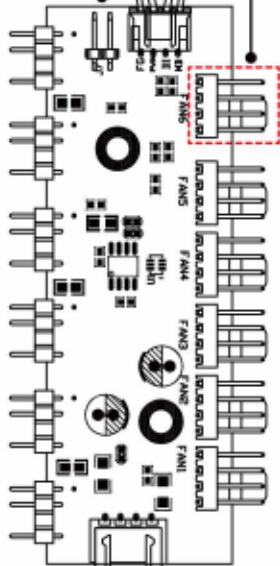
MB



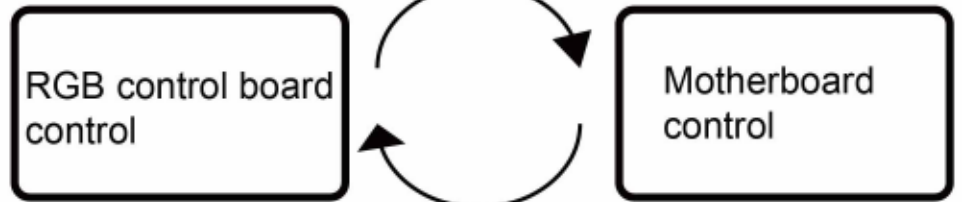
+5 D +
ADD HEADER

Reset SW

At least one PWM fan needs to be connected to the FAN6 position for the computer to detect fan speed data.



LED Hold 2 Secs
(White light flash 2 times)

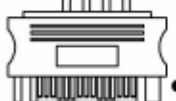


LED Hold 1 Sec

LED 1 Sec
Circle change the 18 modes
6 Secs
Turn off the light (White light flash 4 times)

RGB control board and motherboard RGB lighting modes support the Power-off memory lighting effect function.

Connect to power Supply



SATA