

USER MANUAL



www.azzatek.com

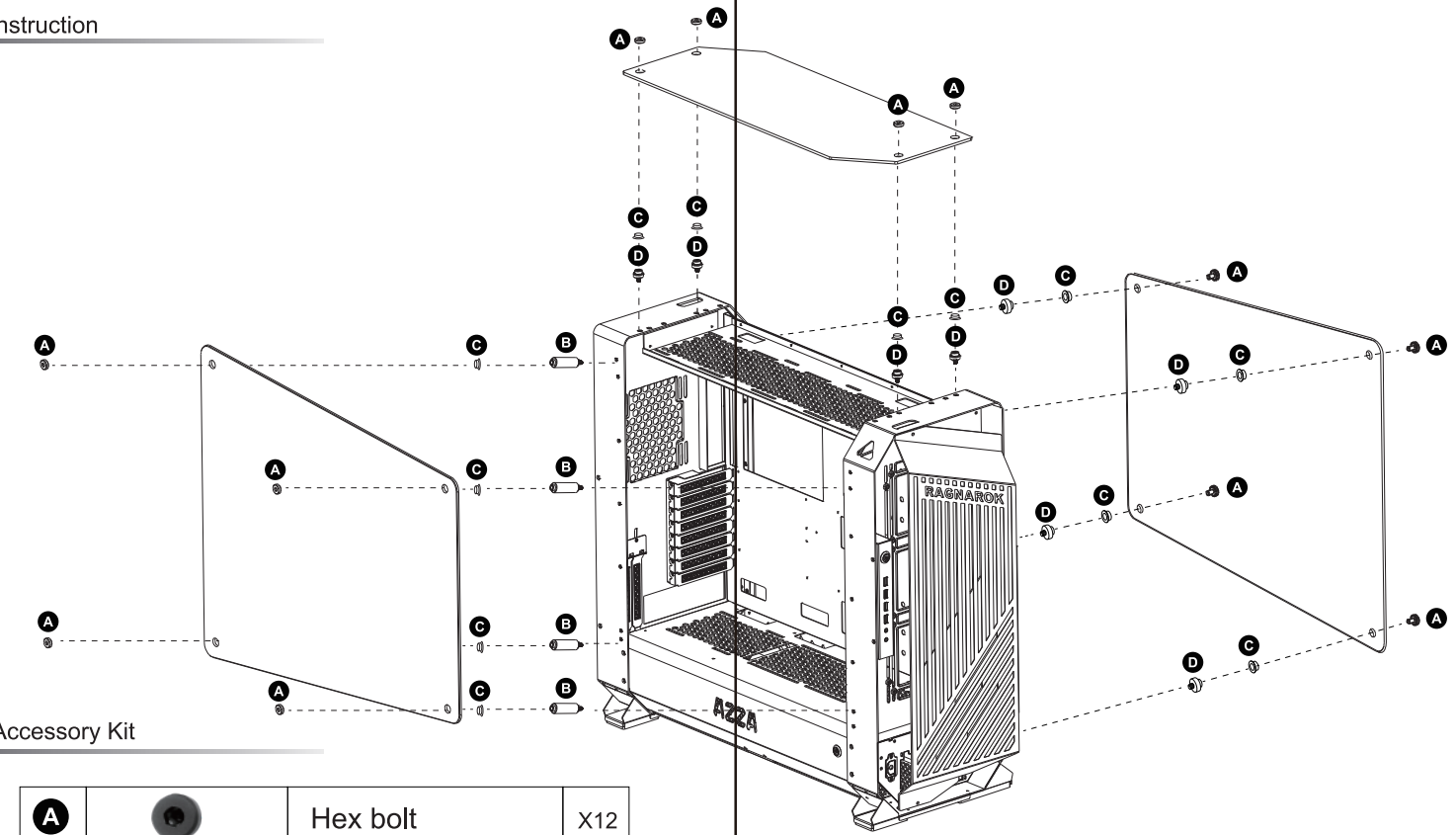
Installation Instructions

1. Specifications
2. Chassis Parts
3. Control Panel Functions
4. The Front Panel Installation
5. 3.5"/2.5" HDD Installation
6. Optional Liquid Cooling System
7. Dual System - Motherboard Installation

Specifications

Model	
Model Name	Ragnarok 801
Model Number	CSAZ-801
Specifications	
Type	E-ATX, ATX, Mini ITX, XL-ATX, Dual System
Color	Black(external) / Black(interior)
Side Panel Window	Left - Right - Top side of panel - Tempered Glass With Rubber Mounts
Max CPU Cooler Height	Up to 175mm
Max Video card length	Up to 400mm long Video card
Power Supply	Not Included, supports dual power supplies.
Motherboard Compatibility	E-ATX - ATX - Micro ATX - Mini ITX - XL-ATX
Expansion	
External 5.25" Drive Bays	0
Internal 2.5" Drive Bays	Up to 4
Internal 3.5" Drive Bays	Up to 4
Expansion slots	10
Top Ports	2xUSB3.0, 2xUSB2.0, HD Audio
Cooling System	
Fans Installed	
Physical Specifications	
Dimensions (HxWxD)	630x300x655mm / 24.8x11.8x25.8 inches
Weight	21.5kg / 47.4lb
Features	
Front Panel	Aluminum plate
Tempered Glass Windows On Three Sides	High-quality tempered glass side window allows for clear visuals to inner components
Available Fan Ports	4x120mm or 3x140mm ports on the Top 3x120mm or 2x140mm ports in the front 4x120mm or 3x140mm ports on the Bottom 1x120mm or 1x140mm Fan port in the rear
Dual System Mode	Mini-ITX & ATX
Water Cooling	Supports radiators up 280-420mm on top/240-360mm in front/240 on the bottom.
Isolated Chamber	Power supply is housed inside its own isolated chamber, preventing its heat from affecting other components
Easy Installation Cooler	A pre-cut hole for easy installation of CPU Cooler, eliminating the need to remove the motherboard

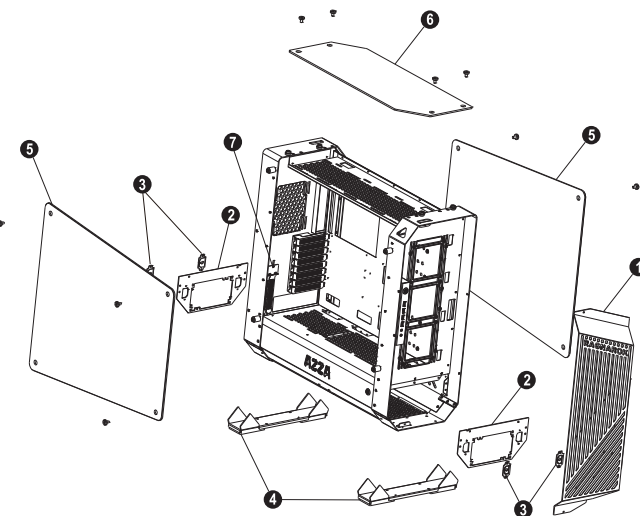
Instruction



Accessory Kit

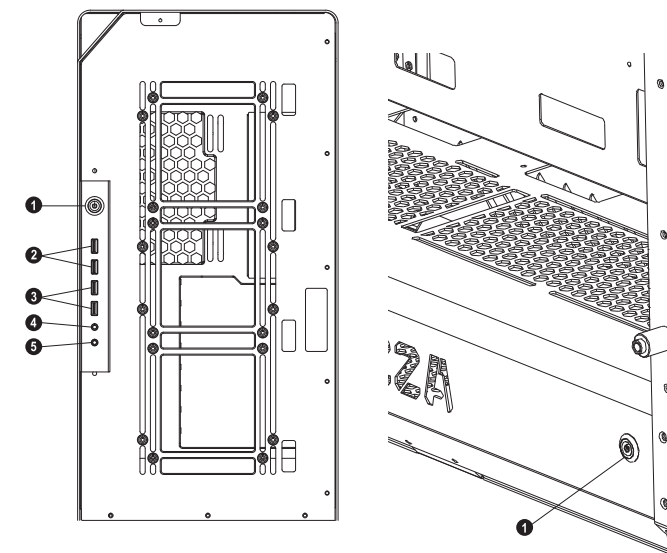
A		Hex bolt	X12
B		Round stud	X4
C		Rubber pad of bolt	X12
D		Round bolt	X8
		Hex key	X1

Chassis Parts



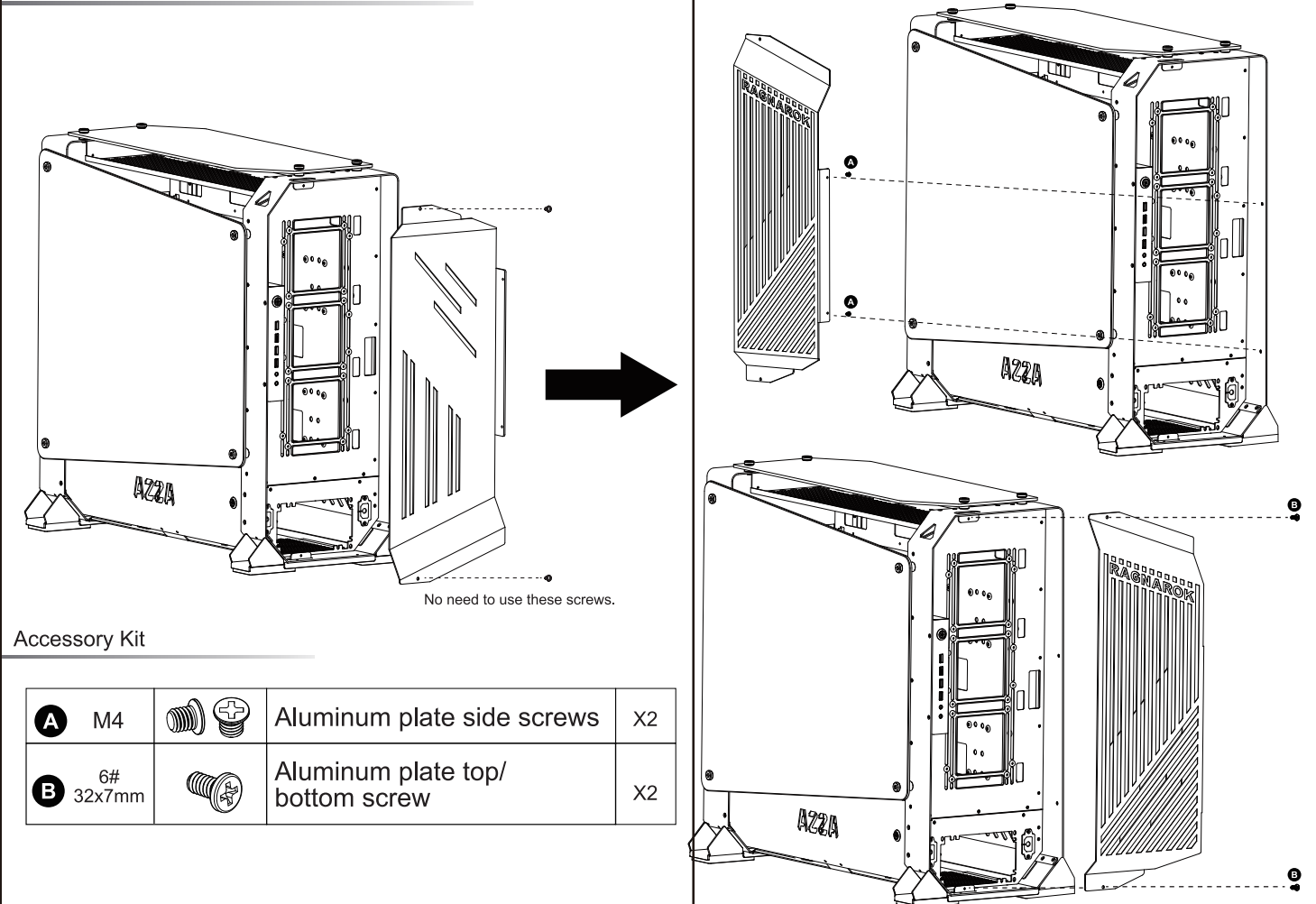
1	Front panel
2	PSU cover plate x2
3	Power cord plate x4
4	Stand x2
5	Tempered glass side panel x2
6	Tempered glass top panel
7	PCIe slot cover

Control Panel Functions



1	Power Switch x2
2	USB 2.0 (Black)
3	USB 3.0 (Blue)
4	Mic
5	Speaker

The Front Panel Installation



Accessory Kit

A	M4		Aluminum plate side screws	X2
B	6# 32x7mm		Aluminum plate top/bottom screw	X2

No need to use these screws.

