



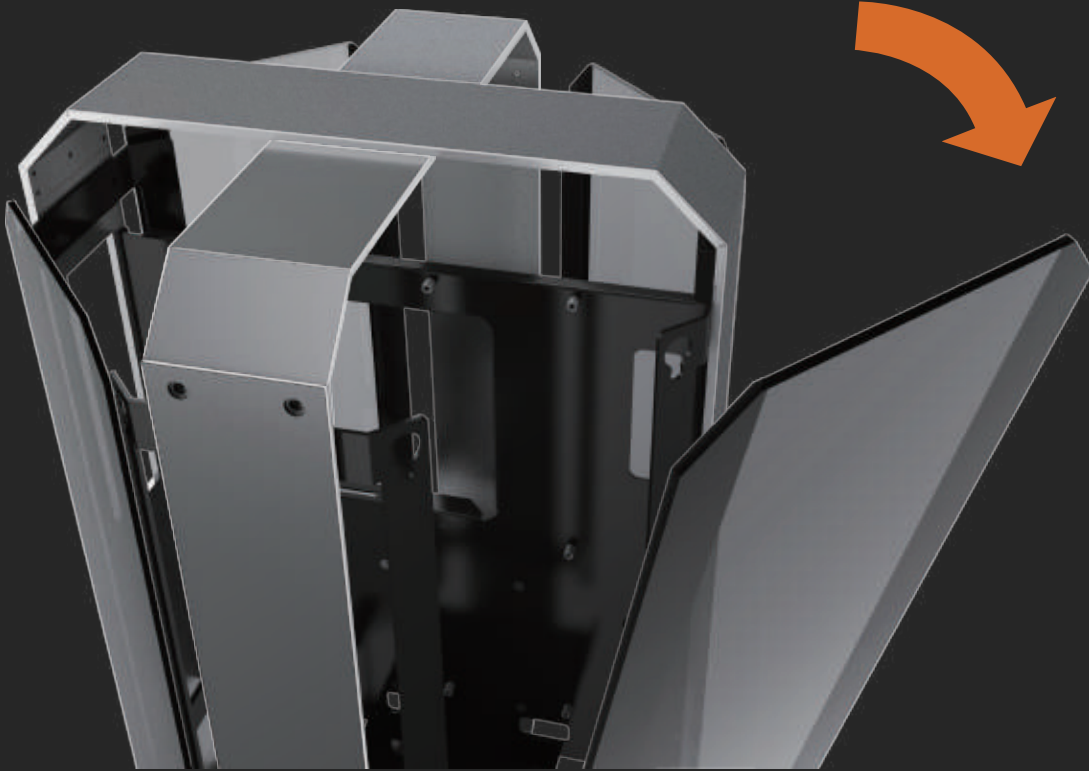
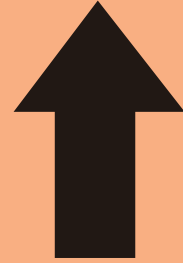
OPUS



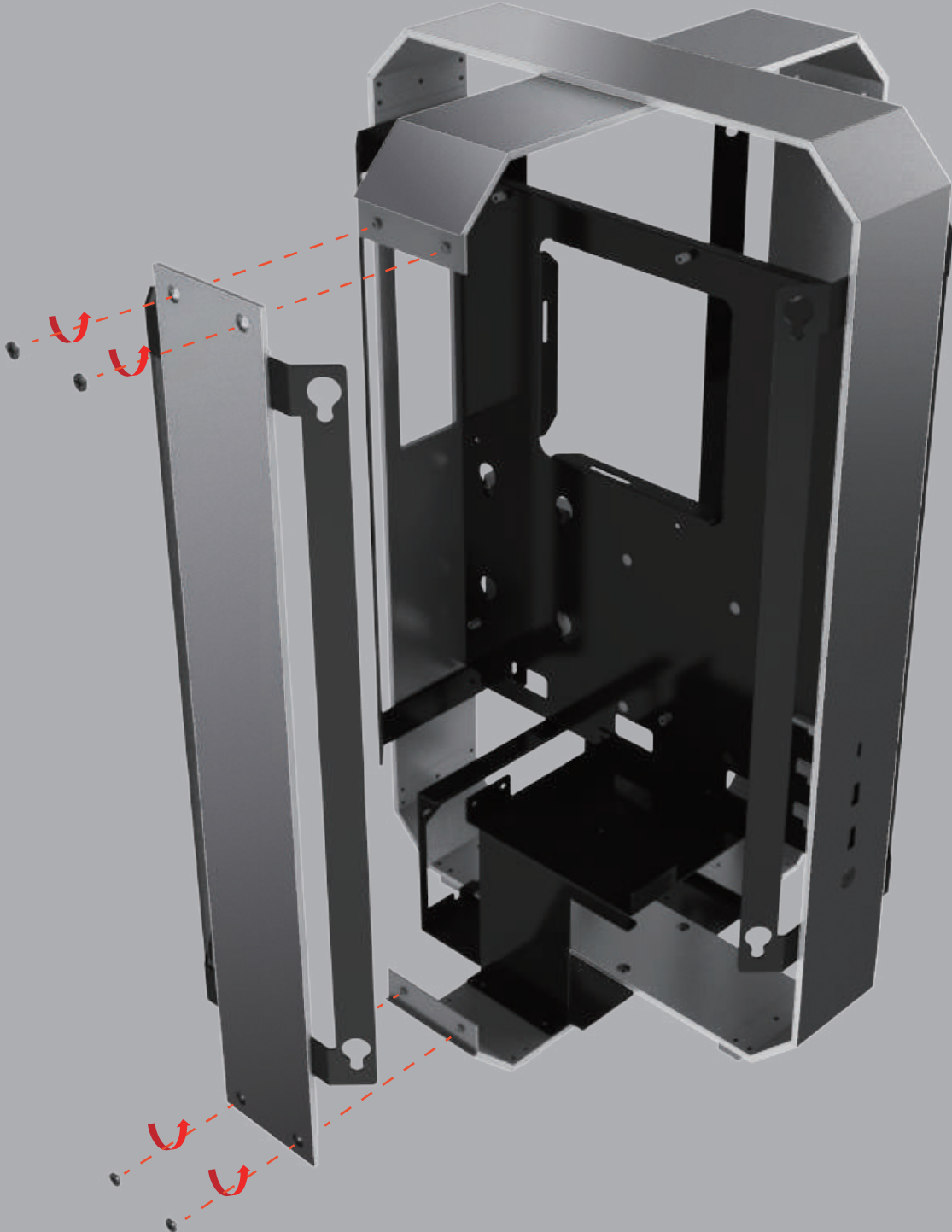
AZZA

| Model | |
|--------------------------------|---|
| Model Name | Opus |
| Model Number | CSAZ-809 |
| Specifications | |
| Type | ATX |
| Color | Space gray and Black glass (exterior) / Black (interior) |
| Side Panels | 4 Tempered glass panels Sandblasted anodized aluminum structure |
| Max CPU Cooler Height | Up to 60mm |
| Max Video Card Length | Up to 360mm (Vertical) |
| Power Supply | Not Included |
| Motherboard Compatibility | <305x280mm E-ATX, ATX, Micro-ATX, Mini-ITX |
| Expansion | |
| External 5.25" Drive Bays | 0 |
| Internal 2.5" Drive Bays | Up to 2 |
| Internal 3.5" Drive Bays | 1 |
| Expansion Slots | 3 (Vertical) |
| I/O Ports | Power button, USB 3.0 x2, Type C x1 |
| Physical Specifications | |
| Dimensions (HxWxD) | 539 x 320 x 320 mm / 21.2 x 12.6 x 12.6 inches |
| Weight | 8.7 kg / 19.2 lbs |
| Features | |
| Tempered Glass | High-quality tempered glass panels allow for clear visuals of inner components |
| Available Fan Ports | 3 x 120 mm ports on the rear |
| Included Fan | None |
| Radiator Support | Supports radiators up 360 mm |
| Accessories | 30 cm PCI-e 3.0 Riser Cable & Power Mesh Another 30cm PCI-e 4.0 extension cable version is available |

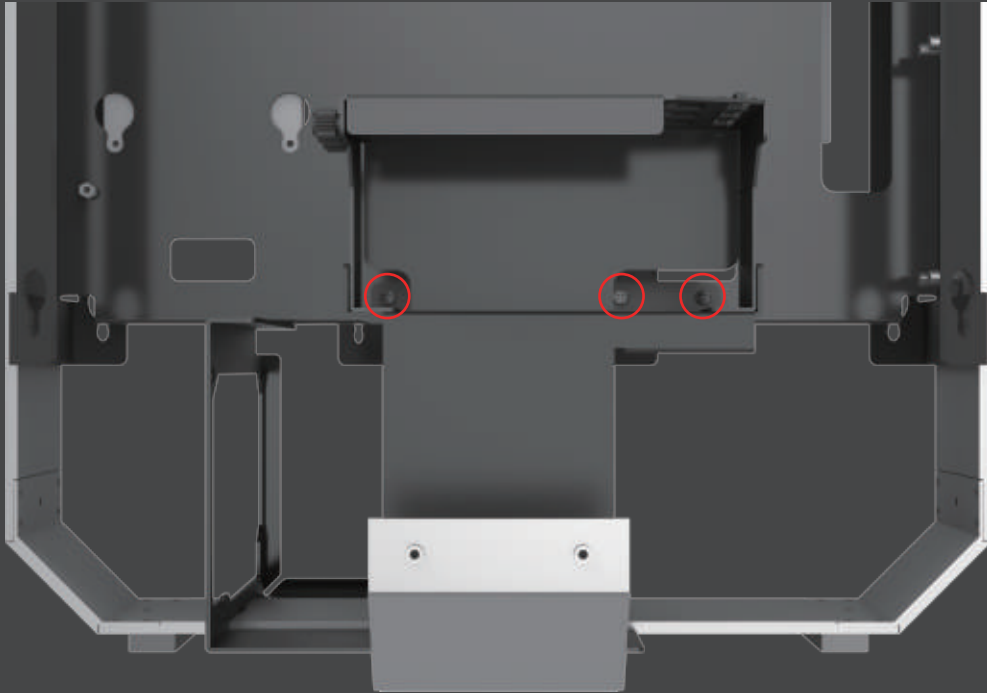
1. Removing Four Glass Panels.



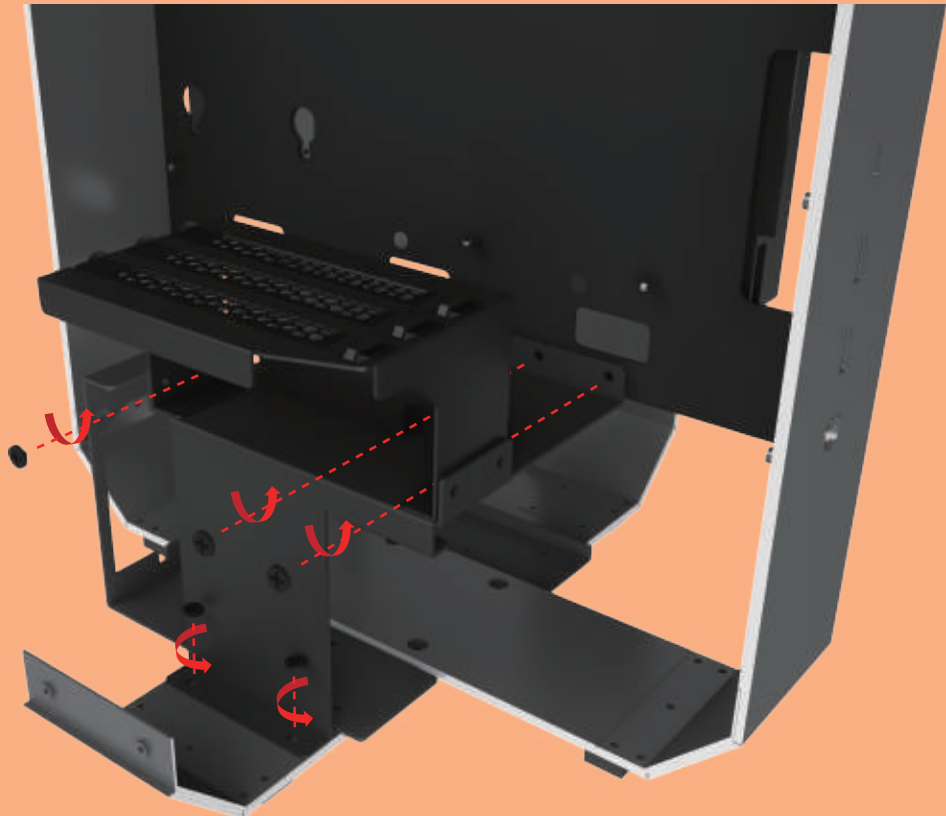
2. Removing Four Sides Metal Frame.



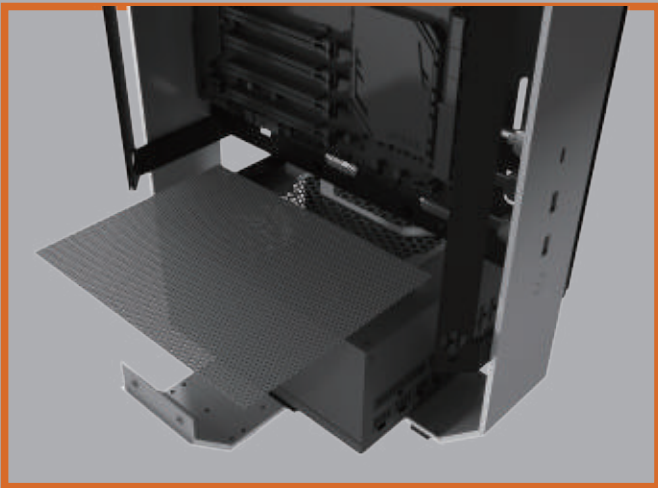
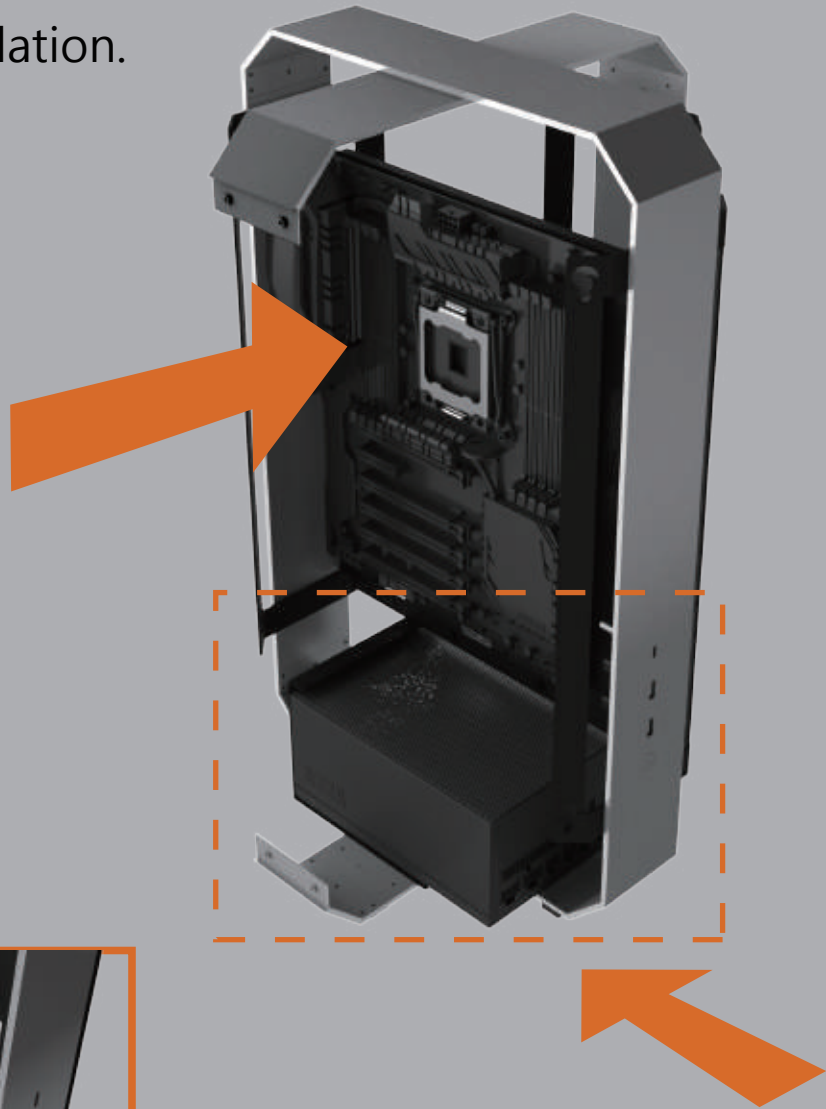
3. Removing GPU Holder and PSU Cover Together



The screwdriver can go straight through



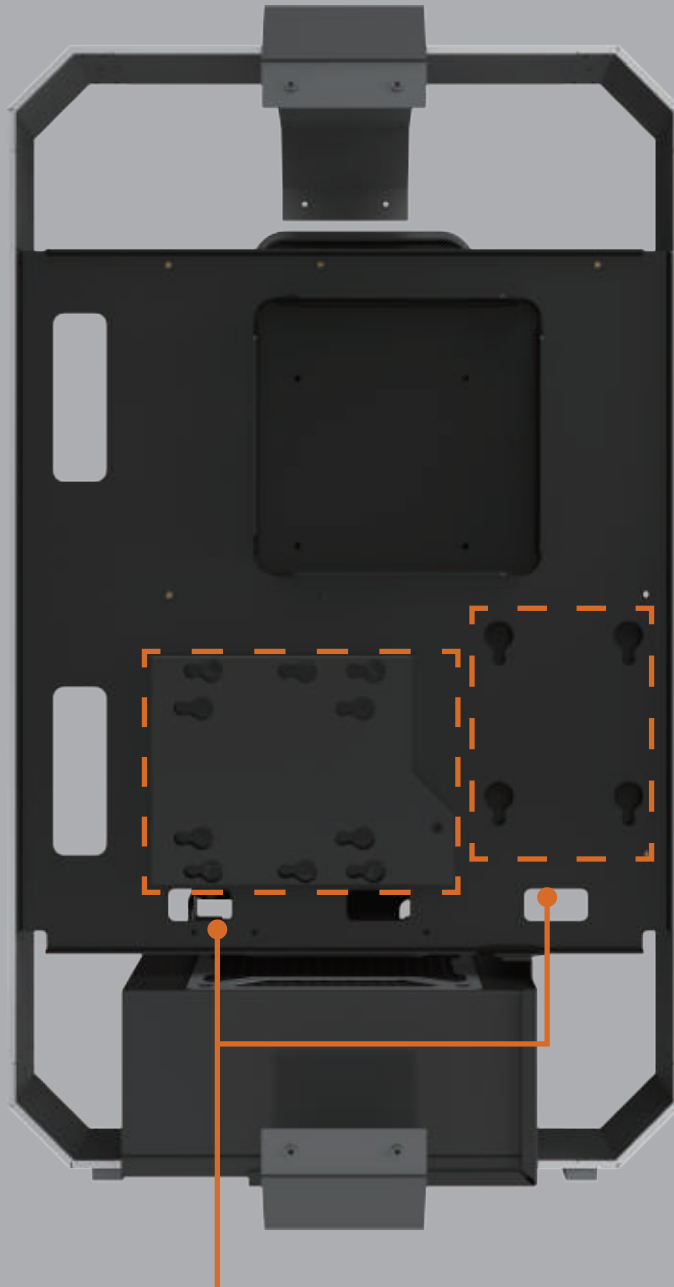
4. Motherboard Installation.



The parts kit contains a psu filter.

5. Power Supply Installation.

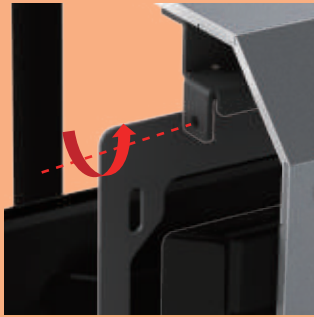
6. HDD & SSD Installation.



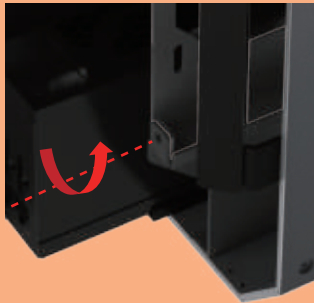
Supports up to:
3.5" HDD x1 + 2.5" SSD x 1
or
2.5"SSD x 2

* The bracket supports a 3.5" or 2.5" device.

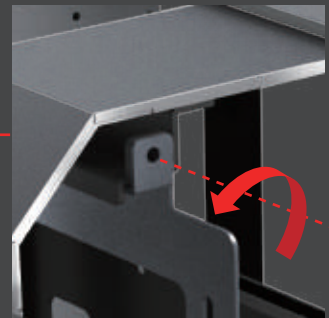
7. Removing The Radiator/Fan Bracket.



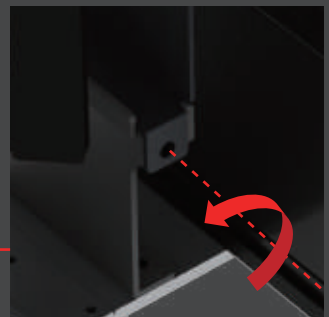
unscrew



unscrew

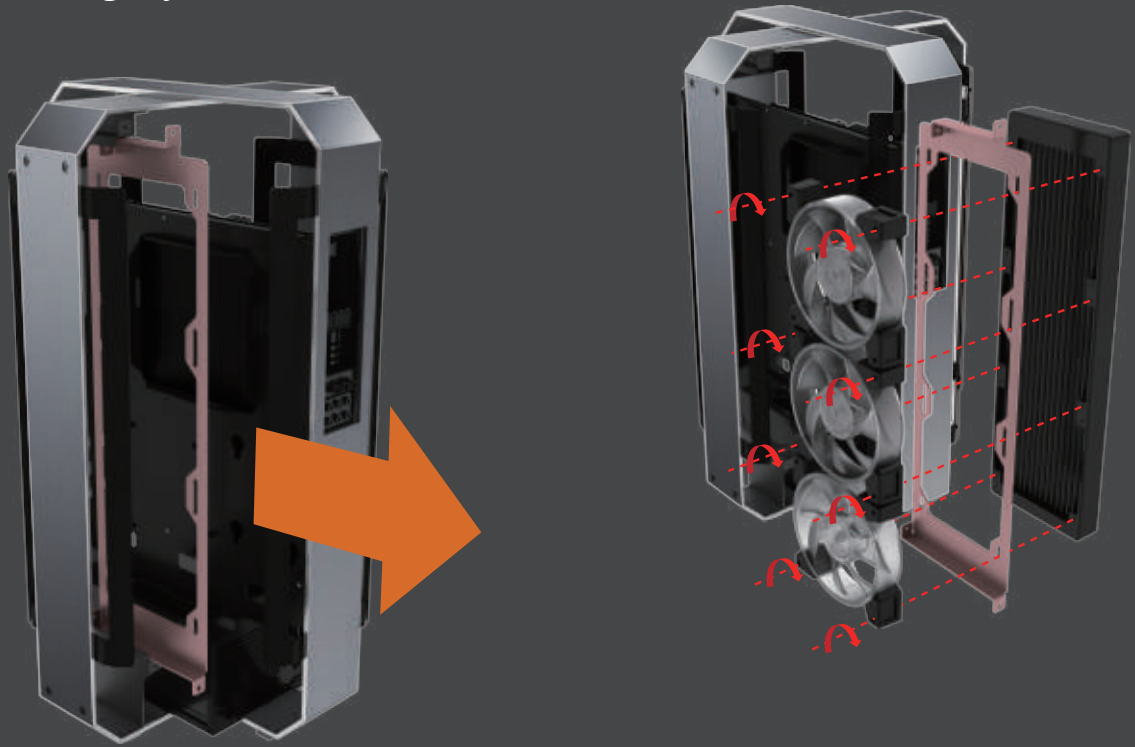


unscrew

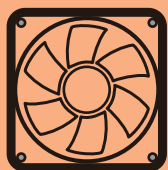


unscrew

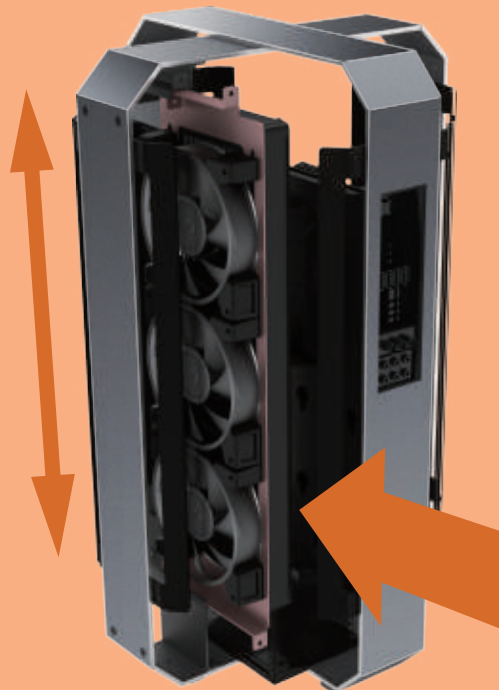
8. Cooling System Installation



9. Cooling System Installation.



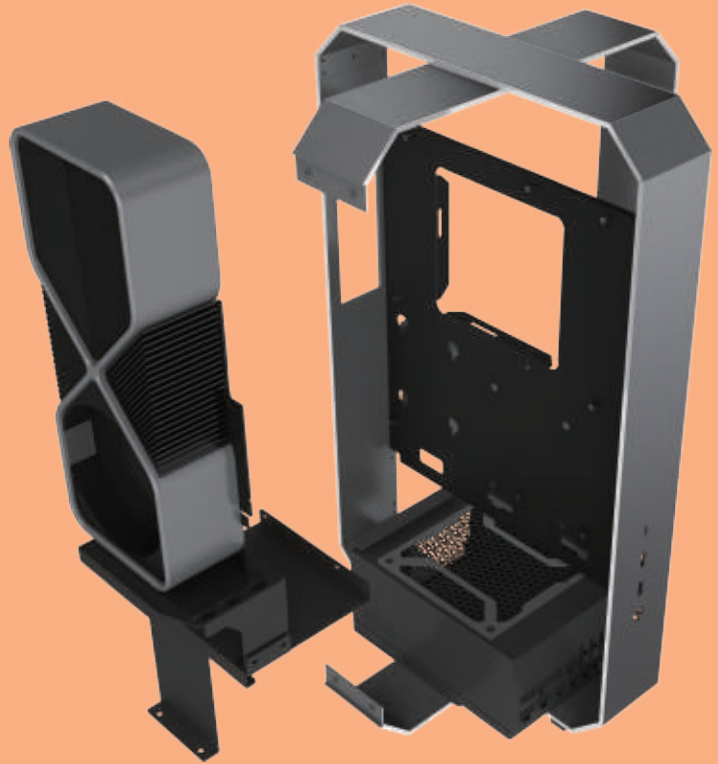
120mm x3



Please install the CPU bracket and radiator pump into the motherboard before pushing the cooler into the chassis.

Max Height of Radiator 360 mm

10. GPU Installation



Supports up to 360mm long video cards.



30cm PCI-E 3.0 extension cable for GPU card included

11. Accessories



300 mm PCI-E 3.0 Cable(Support ATX Motherboard)

Another 300mm PCI-e 4.0 extension cable version is available

4.0 The latest 4.0 version provides faster transmission speed

■ This extension cable supports the following graphics cards: RTX 3000 series, RTX 3080, RTX 3090 FE, RX 5700XT and RX 6000 GPUs.

■ Please note before use:

1. Measure the distance between your motherboard, PCI-E slot and GPU connection to confirm whether the length of this 4.0 cable is sufficient.
2. Update your motherboard BIOS to the latest version.
3. Update your GPU software to the latest version.
4. Check whether the motherboard BIOS setting is 4.0. Some software will not switch automatically. If the switching fails, the PC will not start normally.





THANK YOU