

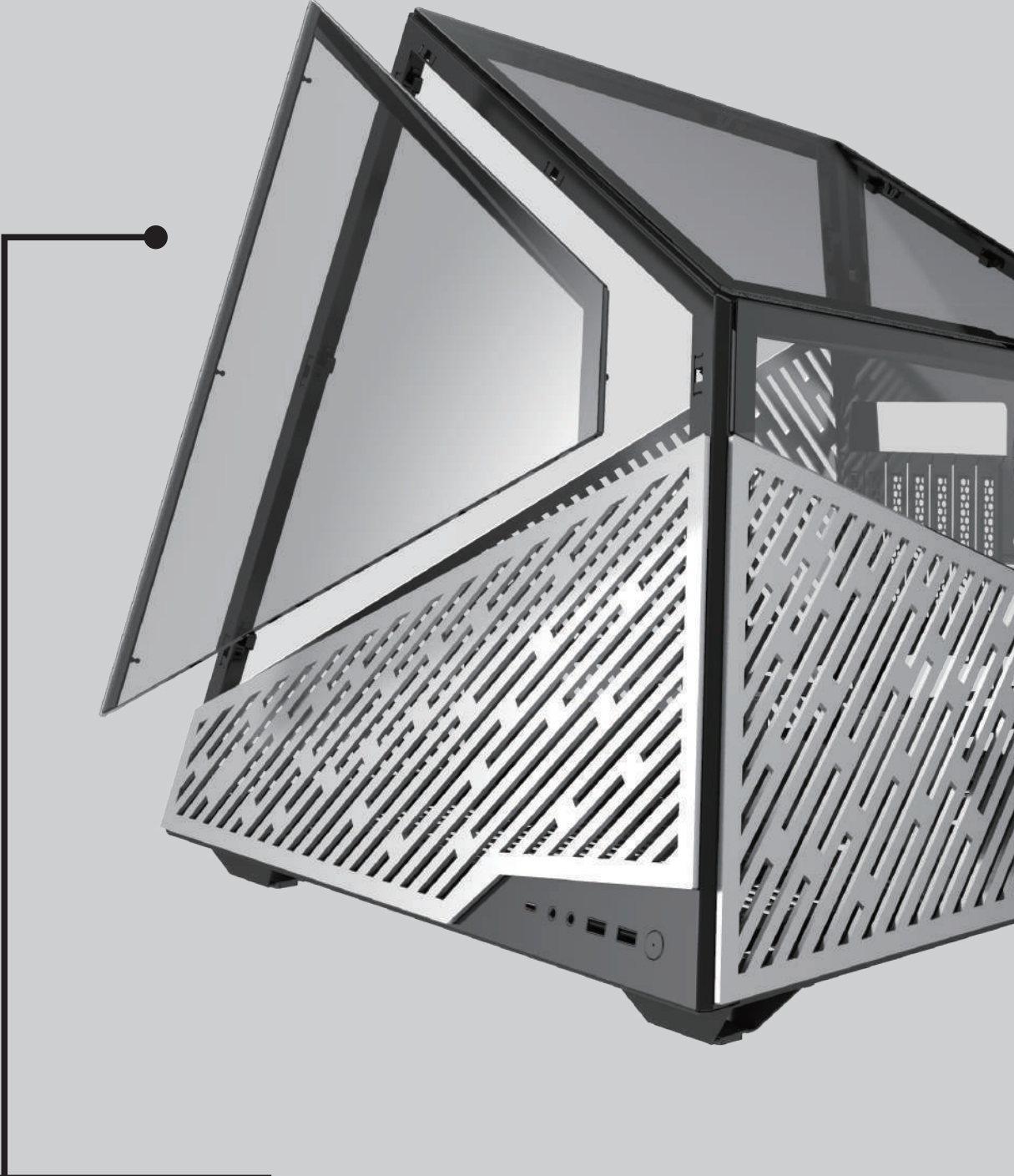


**MESA**

Model	
Model Name	Mesa
Model Number	CSAZ-811
Specifications	
Type	ATX
Chassis thickness	SPCC 1~1.5mm / AL 3mm
Max CPU Cooler Height	Up to 140mm
Max Video Card Length	Up to 380mm
Power Supply	Not included
Motherboard Compatibility	ATX, Micro-ATX, Mini-ITX
Expansion	
External 5.25" Drive Bays	0
Internal 2.5" Drive Bays	Up to 4
Internal 3.5" Drive Bays	Up to 2
Expansion Slots	7
I/O Ports	Power button, Reset button, HD Audio, USB 3.0 x 2, Type-C
Physical Specifications	
Dimensions (HxWxD)	494x489x539 mm / 19.4 x 19.3 x 21.2 inches
Weight	10.3kg / 22.7 lbs
Features	
Addressable RGB Light	Addressable RGB fan on the rear. All addressable RGB light devices controlled by motherboard.
Available Fan Port	1 x 120 mm ports on the rear (1x120mm LFO-4312D ARGB fan included) 3 x 120 mm ports on the front (with radiator bracket)
Water Cooling	Supports radiators up to 360 mm in the front
Power Supply Support	Bottom mounted ATX power supply

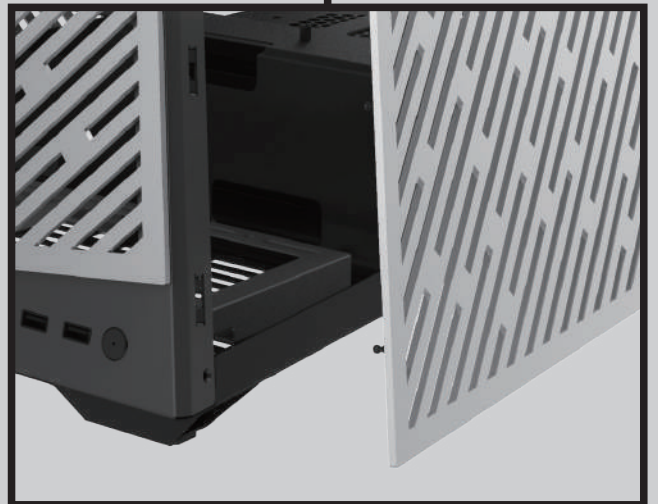
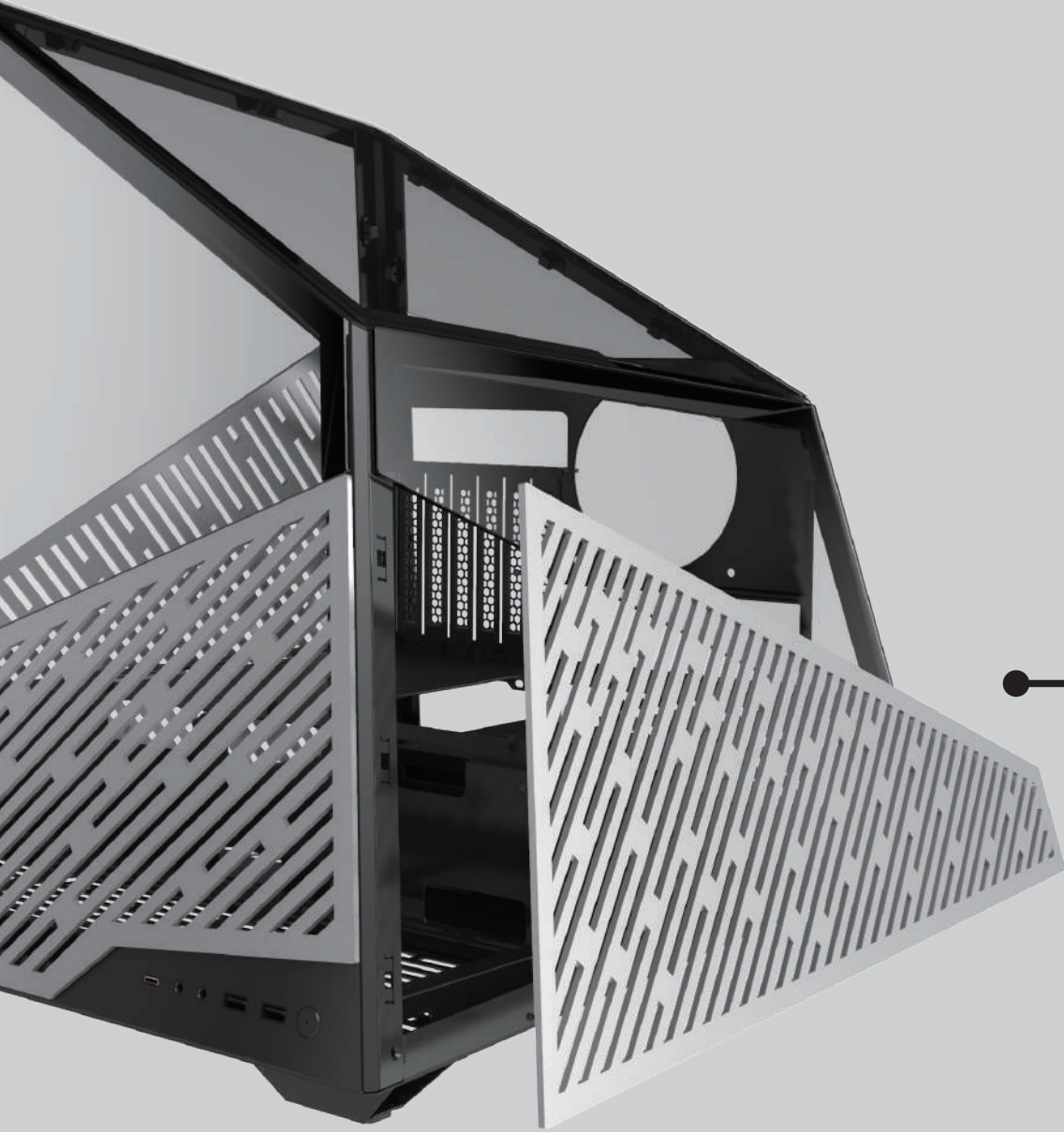
※ PWM Fan: The model comes with PWM fans and will run at top speed unless connected to a motherboard or controller.

# Glass Panel Removal



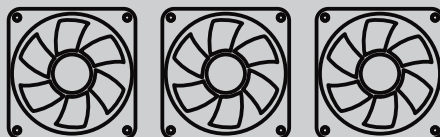
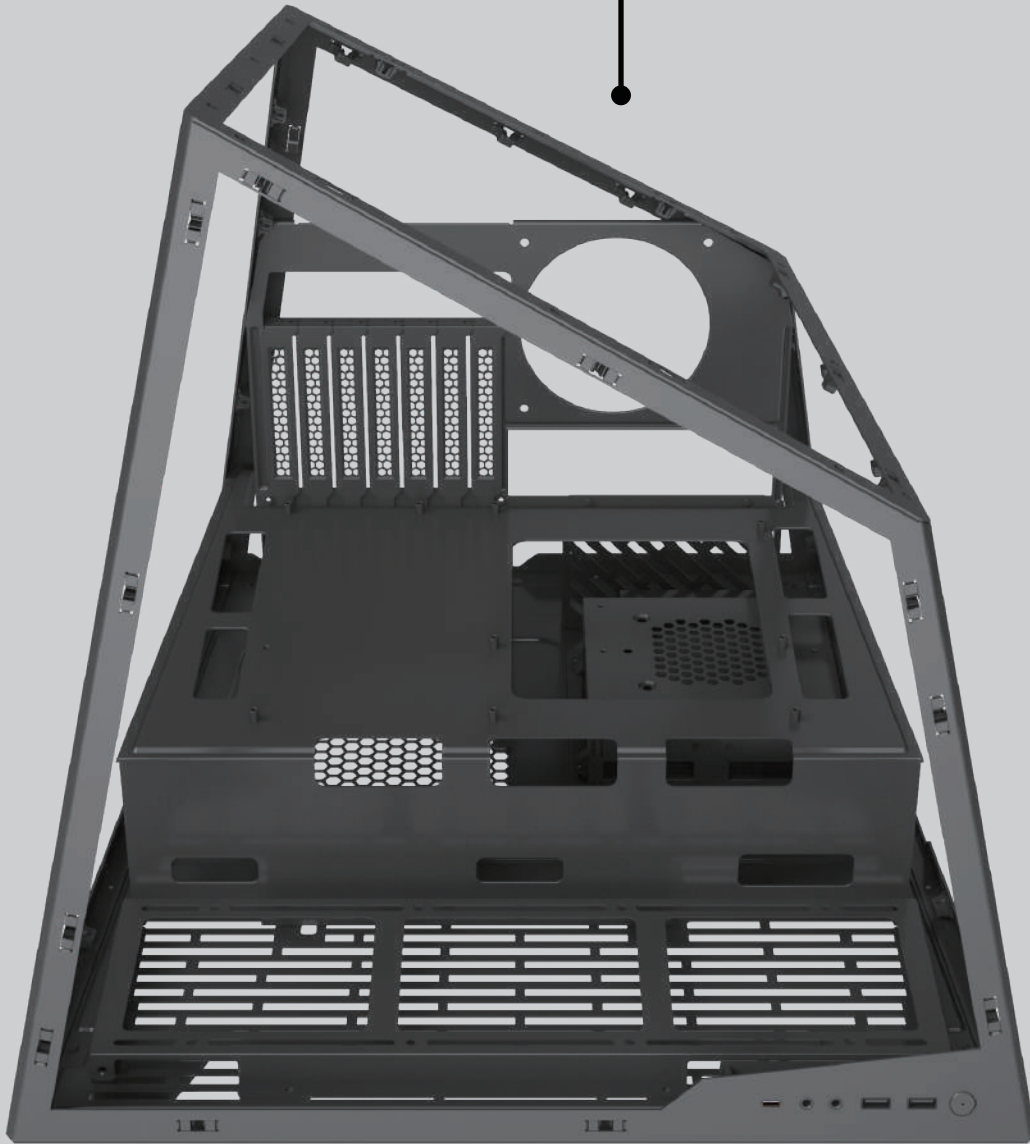
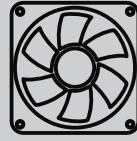


# Aluminum plate Panel Removal



# Fan installation

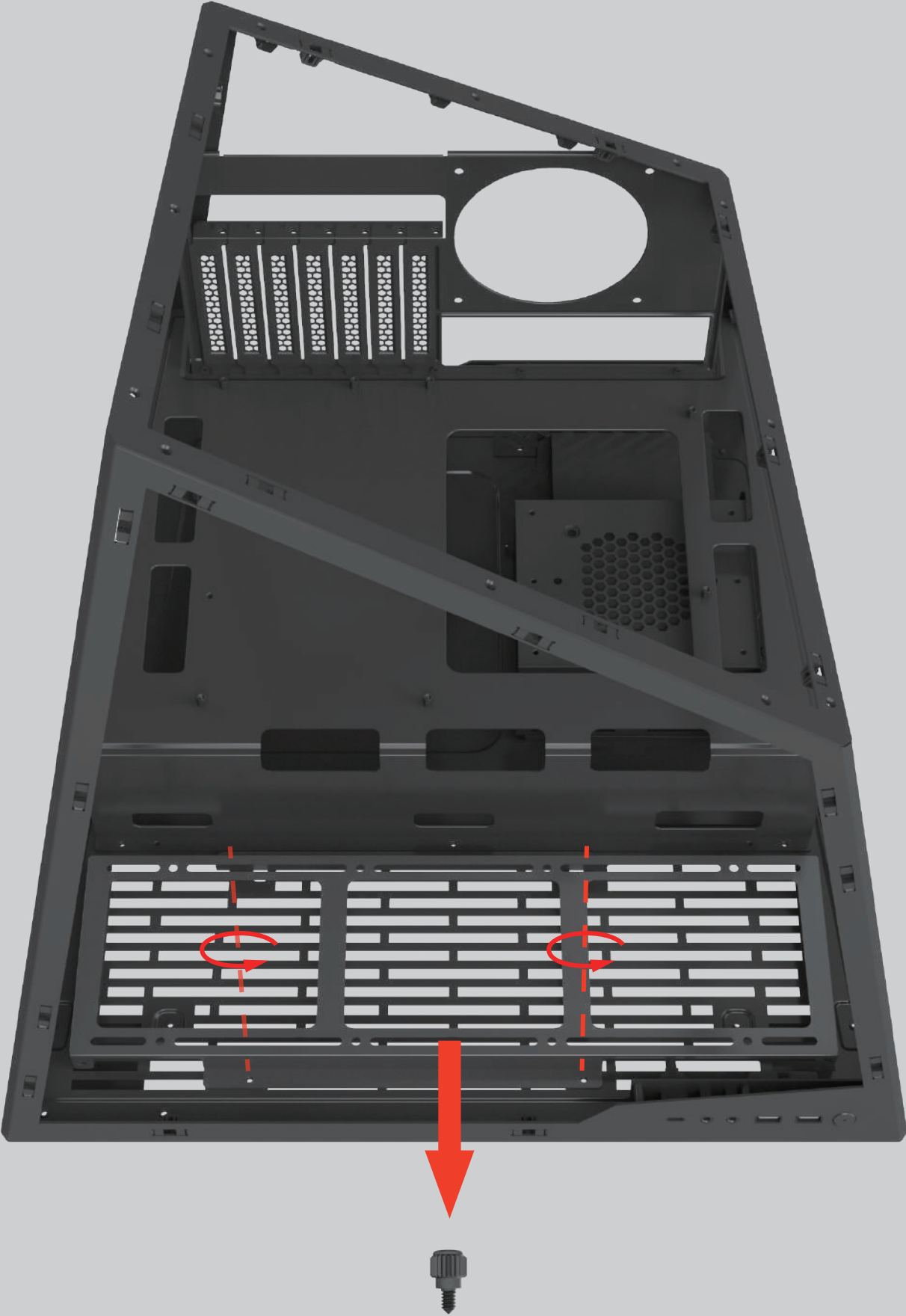
Support up 1 120mm fan on rear



Support up 3 120mm fan on front bracket



# Fan installation



Unscrew the screws and push the fan bracket forward

# GPU installation





# PSU and hard drive sheet metal removal



Unscrew the back screw

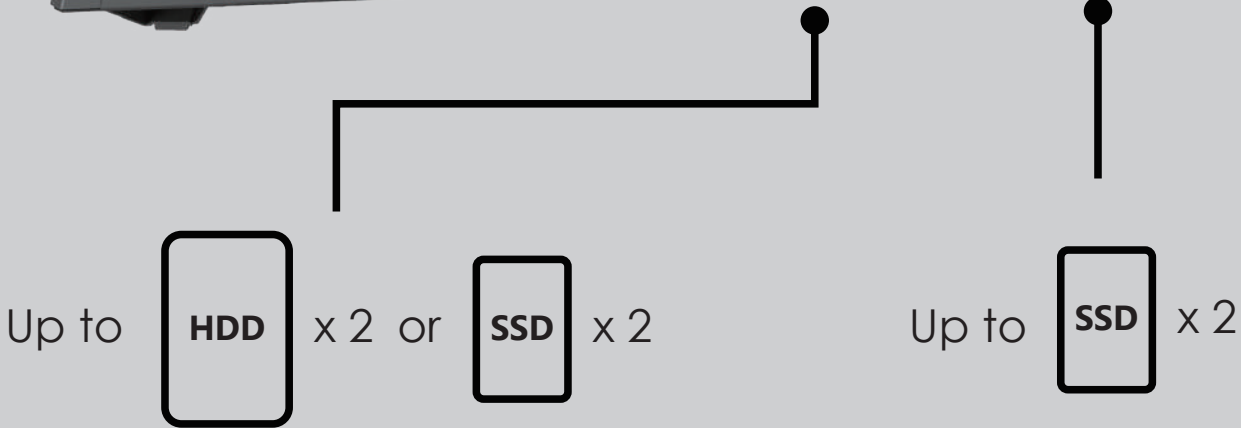


# PSU installation

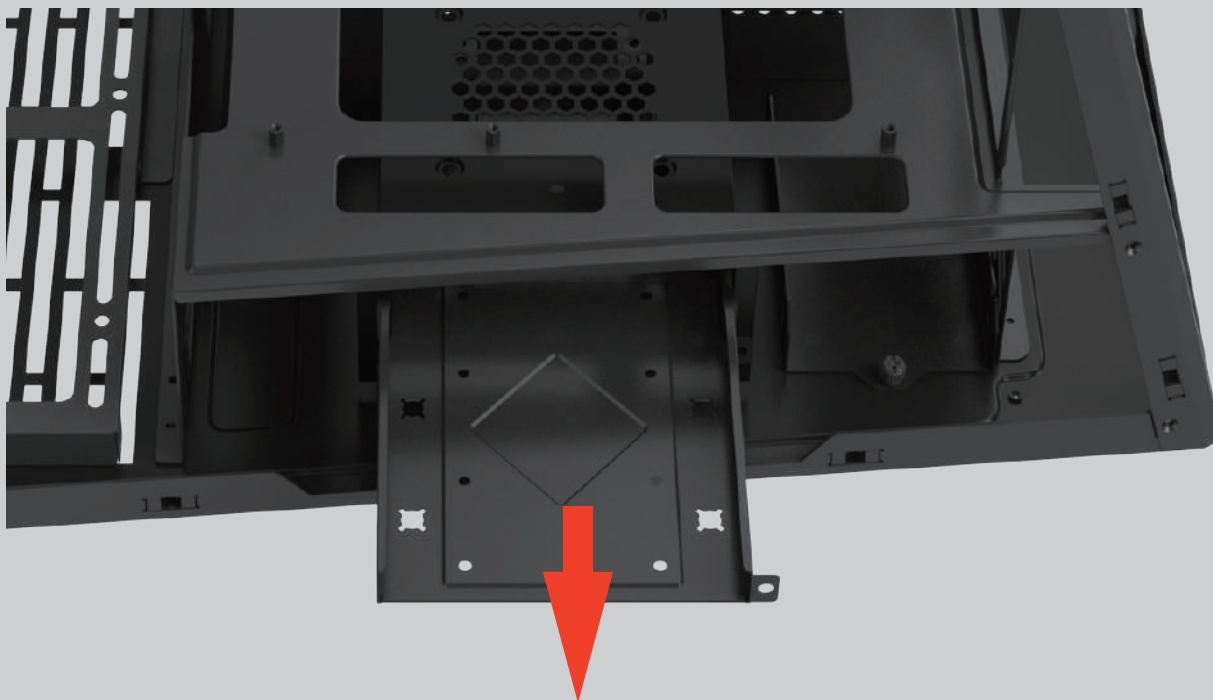


Lock the screw to the PSU sheet metal

# HDD and SSD installation



# HDD and SSD installation



Hdd tray can be removed



If you want to install SSD,  
unscrew the screw and remove the SSD tray

# Motherboard installation



Support ITX, mATX,ATX motherboard