

BLAZE 231
MID-TOWER GAMING CASE

USER MANUAL



www.azzatek.com

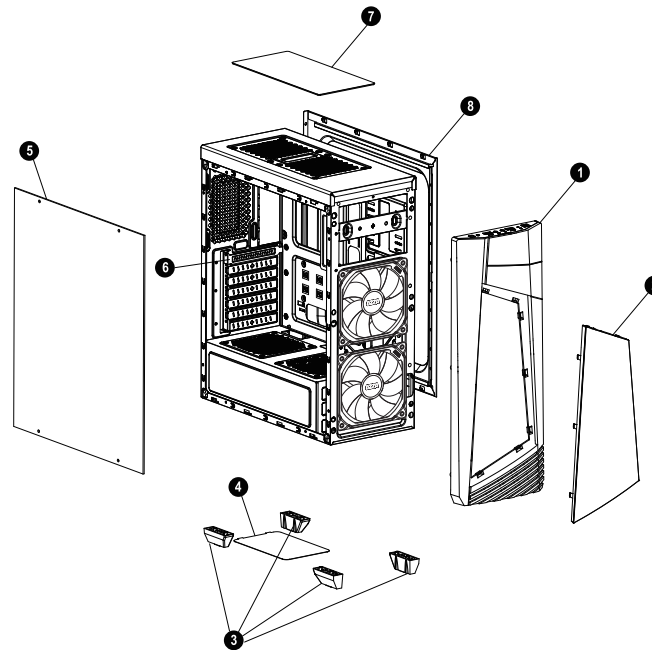
Installation Instructions

1. Specifications
2. Chassis Parts
3. Control Panel Functions
4. 3.5"/2.5" HDD Installation
5. Cooling System Installation
6. AZZA PRISMA RGB Fan

Specifications

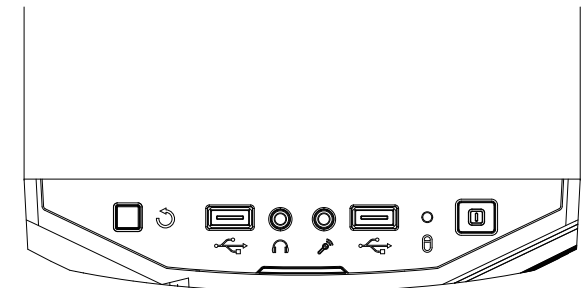
Model	
Model Name	Blaze 231
Model Number	CSAZ-231 / CSAZ-231G
Specifications	
Type:	ATX Mid Tower
Color:	Black(exterior)/Black(interior)
Side Panel Window:CSAZ-231	Transparent Acrylic with rubber mounts
Side Panel Window:CSAZ-231G	Tempered Glass with rubber mounts
Max CPU Cooler Height	Up to 155mm
Max Video Card Length	Up to 340mm long video card
Power Supply:	Not included
Motherboard Compatibility	ATX, Micro ATX
Expansion	
External 5.25" Drive Bays	0
Internal 2.5" Drive Bays	Up to 3
Internal 3.5" Drive Bays	Up to 3
Expansion Slots	7
Top Ports	1xUSB3.0, 1xUSB2.0, HD Audio
Physical Specifications	
Dimensions (HxWxD)	480x197x427mm / 18.9x7.8x16.8 inches
Weight :CSAZ-231	3.75kg/8.3lbs
Weight :CSAZ-231G	4.8kg/10.6lbs
Features	
RGB Light Effects	RGB light on the front, All RGB light devices controlled by MotherBoard
Left Side Panel	Transparent acrylic for CSAZ-231, tempered glass for CSAZ-231G
Available Fan Ports	2x120mm ports on the Top 3x120mm or 2x140mm ports in the Front (2x12cm PRISMA- RGB Fan included) 1x120mm Fan port in the Rear
Dust Filters	Removable (Magnetic) dustproof net on the top and dustproof PVC Net on the bottom of chassis
Water Cooling	Supports radiators up to 240mm in front
Isolated Chamber	Power supply is housed inside its own isolated chamber, preventing its heat from affecting other components
Easy Installation Cooler	A pre-cut hole for easy installation of CPU Cooler, eliminating the need to remove the motherboard

Chassis Parts



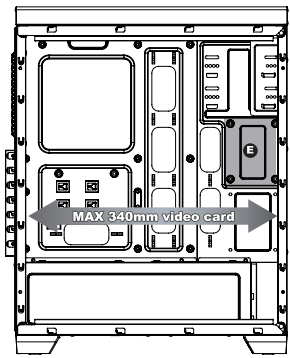
1	Front bezel
2	Acrylic cover
3	Case feet x4
4	Dust filter
5	Transparent acrylic side panel for CSAZ-231 Tempered glass side panel for CSAZ-231G
6	PCI slot cover
7	PVC dust filter with magnet
8	Right side panel

Control Panel Functions



	POWER		USB 3.0 (Blue)
	RESET		USB 2.0 (Black)
	HDD LED		Mic
	POWER LED		Audio

3.5" / 2.5" HDD Installation



• Supports up to 340mm long video cards.

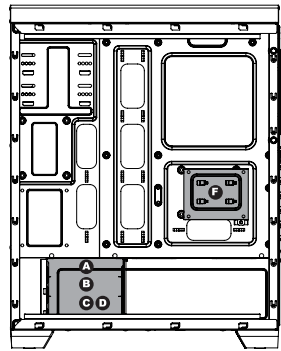


3.5"

or



2.5"

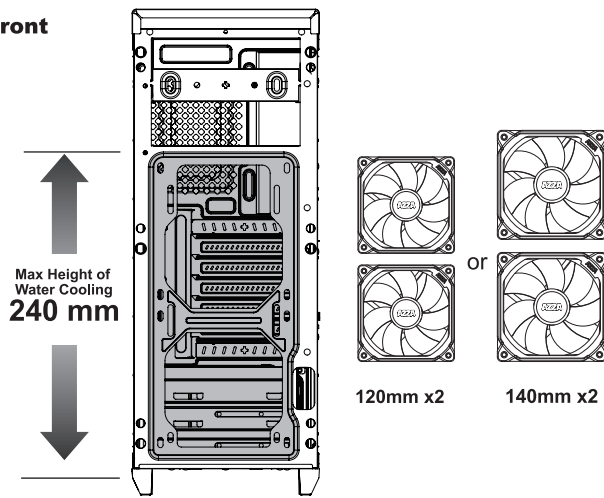


• Supports 3.5" HDD X3 (A B C)

• Supports 2.5" Devices X3 (D E F)

Cooling System Installation

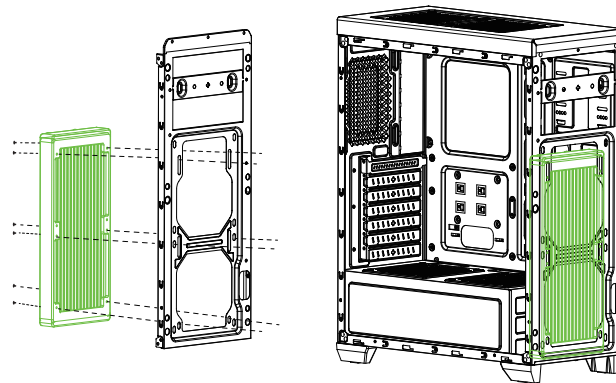
Front



Max Height of Water Cooling
240 mm

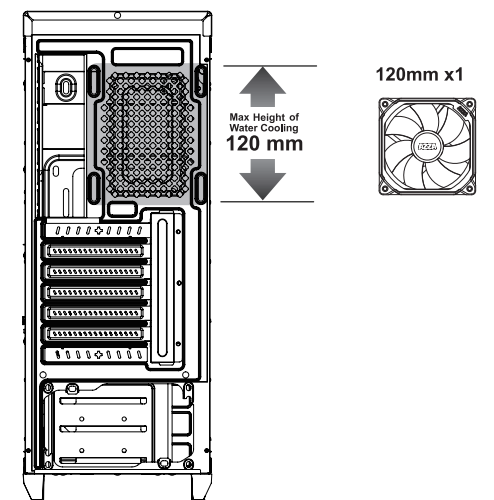
120mm x2

140mm x2



Cooling System Installation

Rear

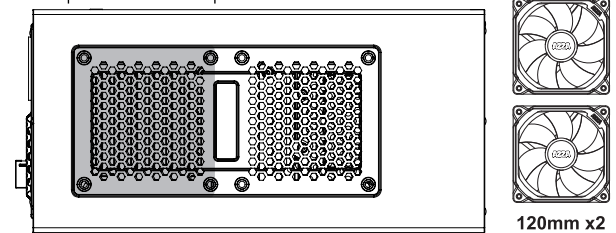


Max Height of Water Cooling
120 mm

120mm x1

Top

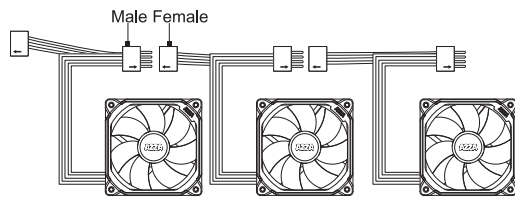
Max Length of Water Cooling
120 mm



120mm x2

AZZA PRISMA RGB Fan

• Parallel ("daisy-chaining")



• Plug the RGB fan's 4-pin connector into your motherboard's RGB header. You can then adjust fan colors using your native fan control software.

