

# AZZA

# Blizzard

C P U L i q u i d C o o l e r

120<sub>mm</sub> / 240<sub>mm</sub> / 360<sub>mm</sub>

LCAZ-120R-ARGB / LCAZ-240R-ARGB / LCAZ-360R-ARGB

## USER MANUAL

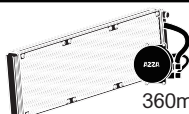
# Package Contents



120mm x1



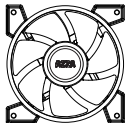
240mm x1



360mm x1

**A**

Fan:  
Blizzard 120 x1  
Blizzard 240 x2  
Blizzard 360 x3



**B**

Intel fastener

x2



**C**

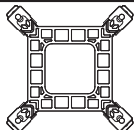
Intel 2011 Mounting screws x4



**D**

Intel bracket behind M/B

x1



**E**

Intel Fastener screws

x4



**F**

AMD Fastener

x2



**G**

AMD support bracket x2



**H**

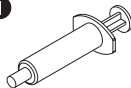
AMD Mounting screws x2



**I**

Thermal paste

x1



**J**

Fastener screws:  
INTEL x 4 / AMD x4



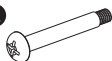
**K**

Radiator screws:  
Blizzard 120 x4  
Blizzard 240 x8  
Blizzard 360 x12



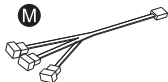
**L**

Fan screws:  
Blizzard 120 x4  
Blizzard 240 x8  
Blizzard 360 x12



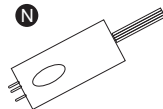
**M**

PWM Y-cable:  
Blizzard 240 x1  
Blizzard 360 x1



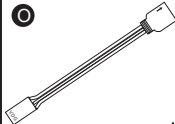
**N**

ARGB Controller x1



**O**

ARGB VDG cable x1

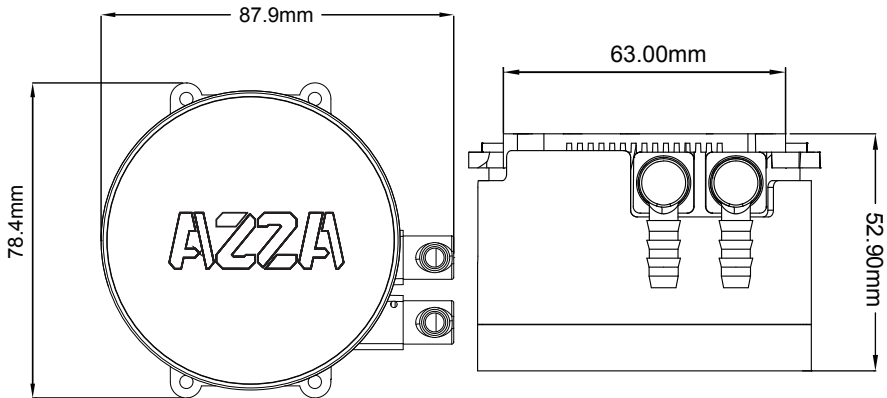


**P**

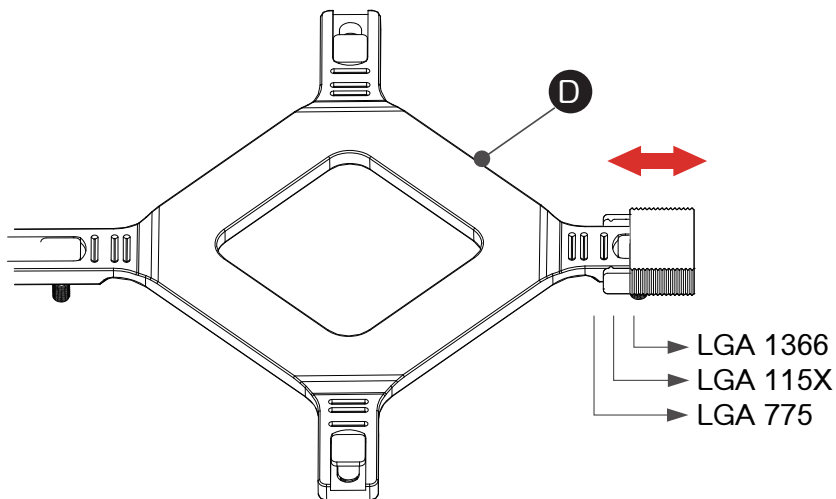
Double-sided tape x1



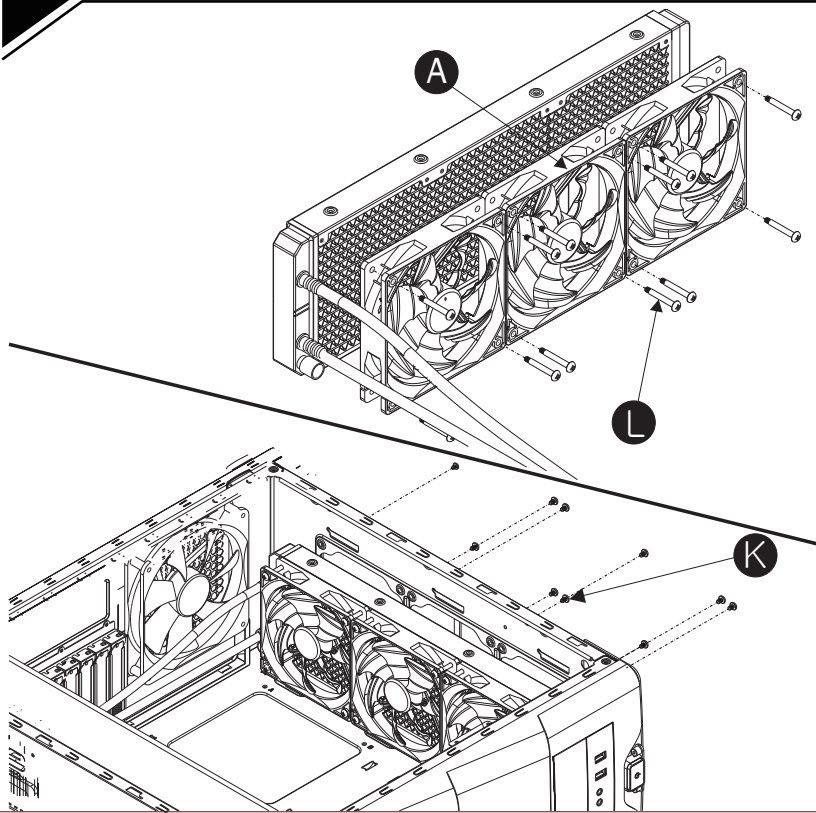
# Pump Dimensions



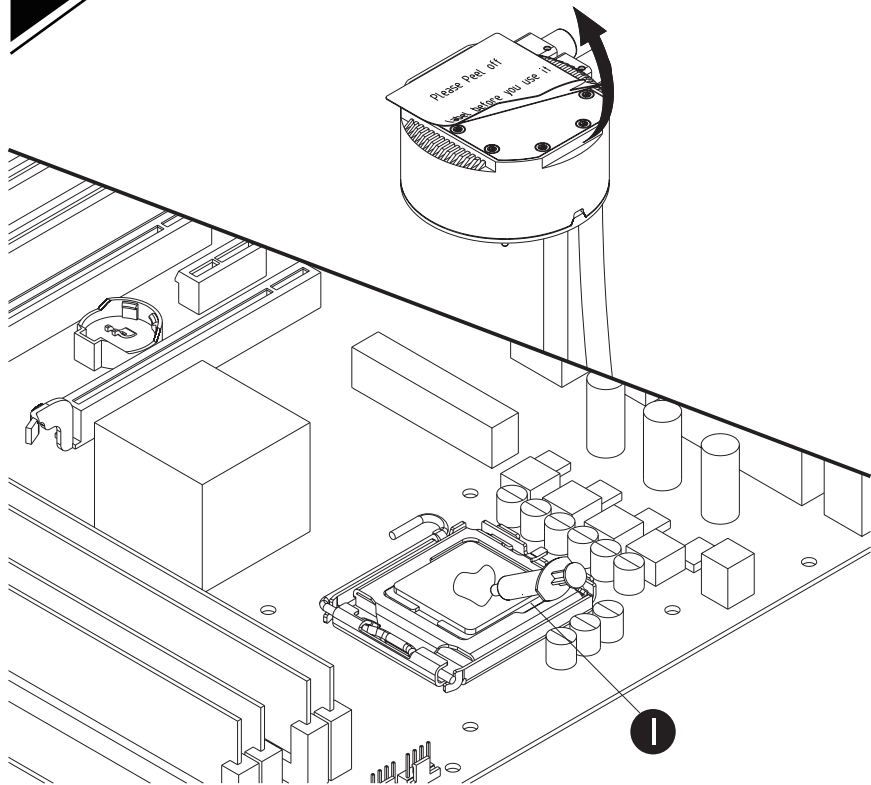
# INTEL [LGA1366/ 115X/ 775] Bracket Behind M/B



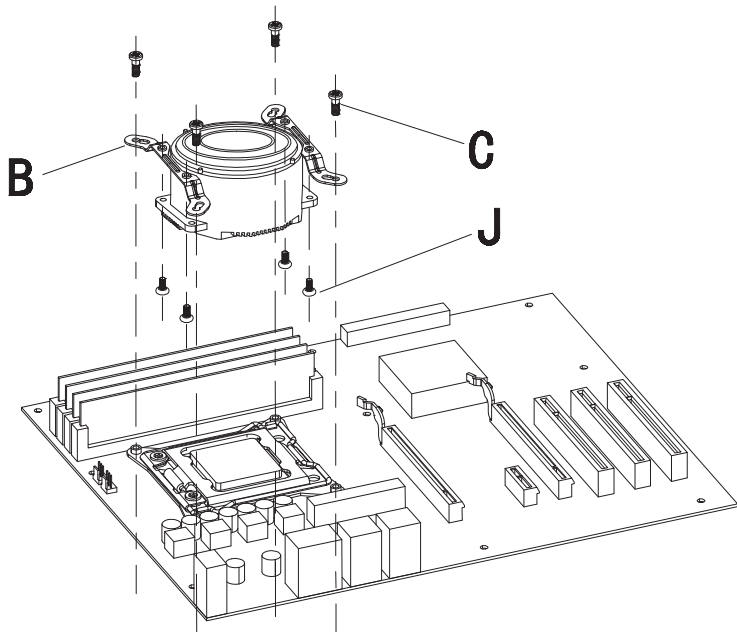
# 1. INTEL / AMD



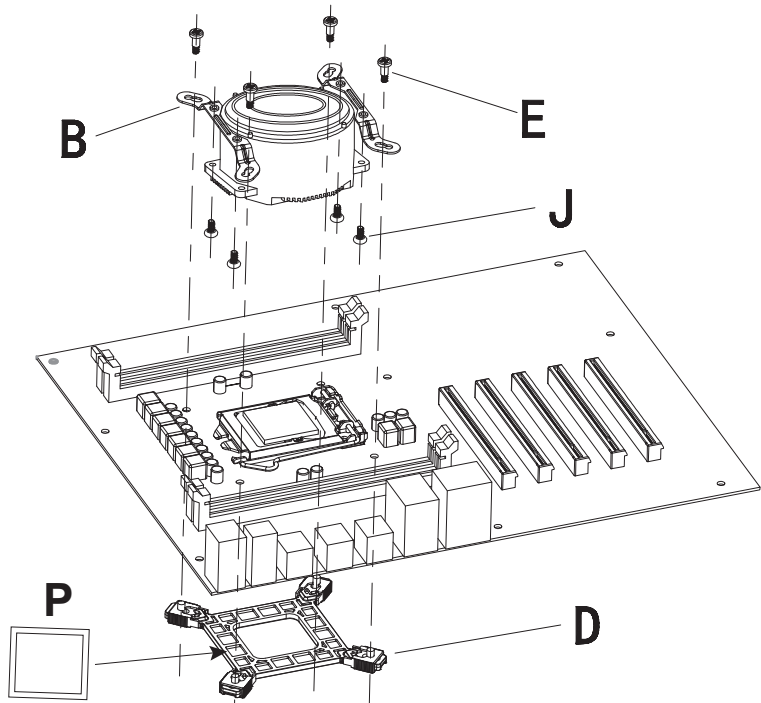
## 2. INTEL / AMD



### 3. INTEL [LGA2066/ 2011/ 2011-3]



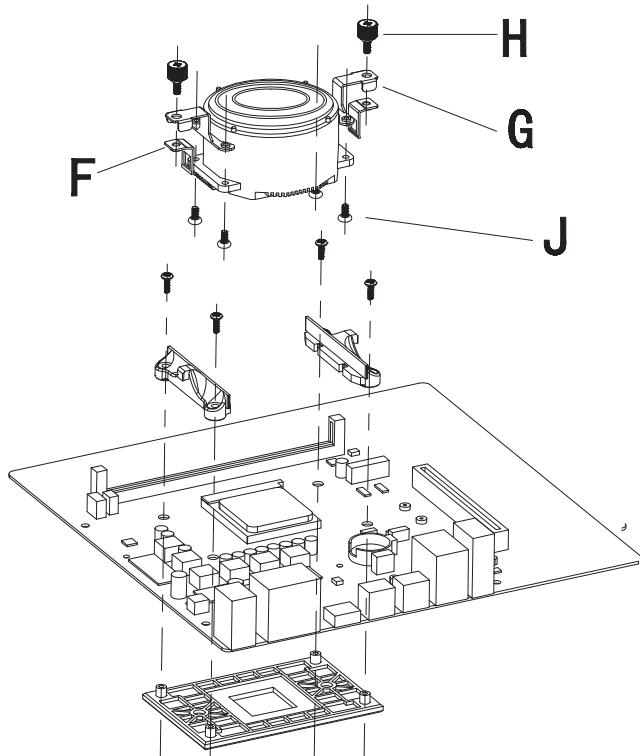
## 4. INTEL [LGA1366/ 115X/ 775]



※ Stick between the bracket and motherboard



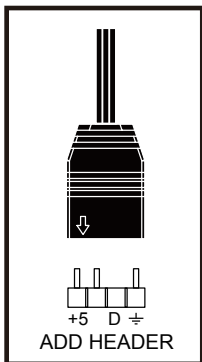
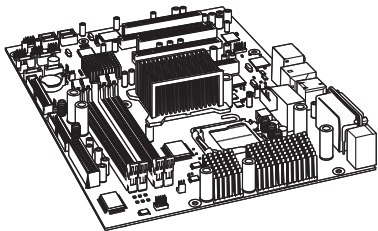
# 5. AMD



# ARGB Motherboard Instruction

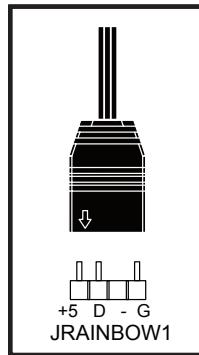
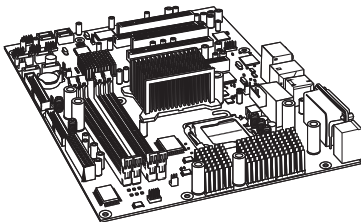
## ASUS

(Sync software:  
ASUS™ AURA SYNC)



## MSI

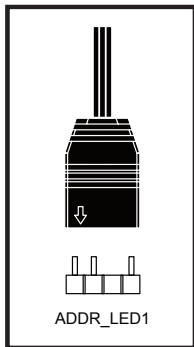
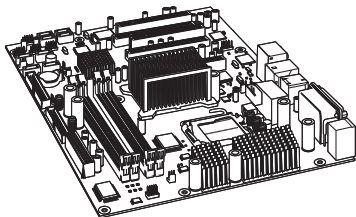
(Sync software:  
MSI™ MYSTIC LIGHT SYNC)



# ARGB Motherboard Instruction

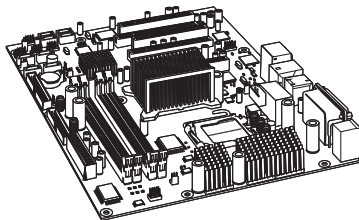
## ASRock

(Sync software:  
ASROCK™ POLYCHROME SYNC)

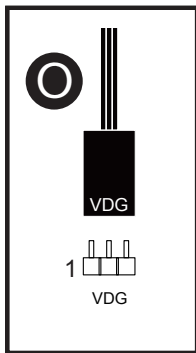


## GIGABYTE

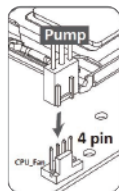
(Sync software:  
GIGABYTE™ RGB FUSION )



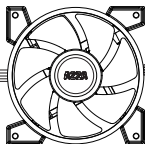
※ Please plug in the correct side, otherwise,  
it can potentially cause damage.



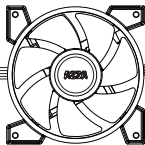
# ARGB Motherboard Connection



Fan power supply



Fan power supply

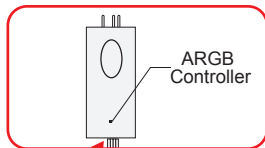
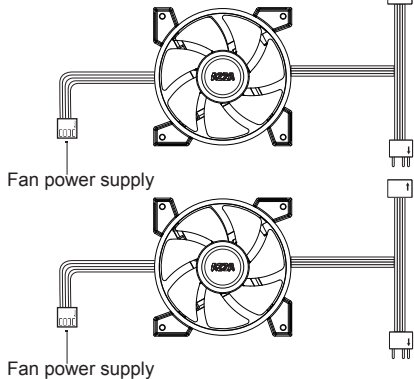
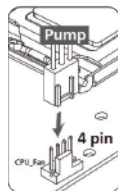


(MB: ASUS / MSI / ASRock)



VDG  
(MB: GIGABYTE)

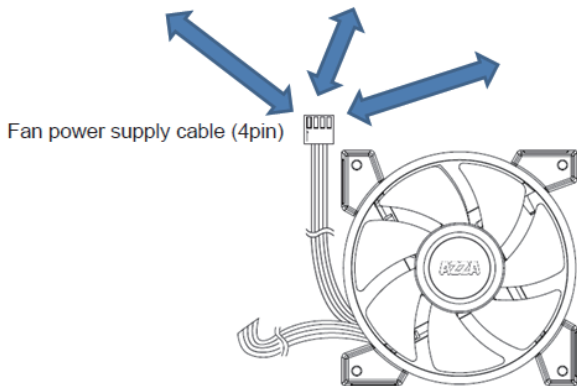
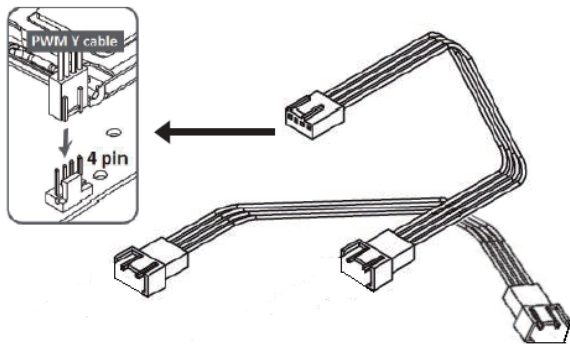
# ARGB Controller Connection



※ Press button to switch through 10 ARGB modes.

※ Can be controlled via the Reset button as well, if the reset cable is plugged into ARGB Controller.

# PWM Y-Cable Instruction [Fan Power Supply]



**AZZA**  
ONE VISION. ONE MISSION