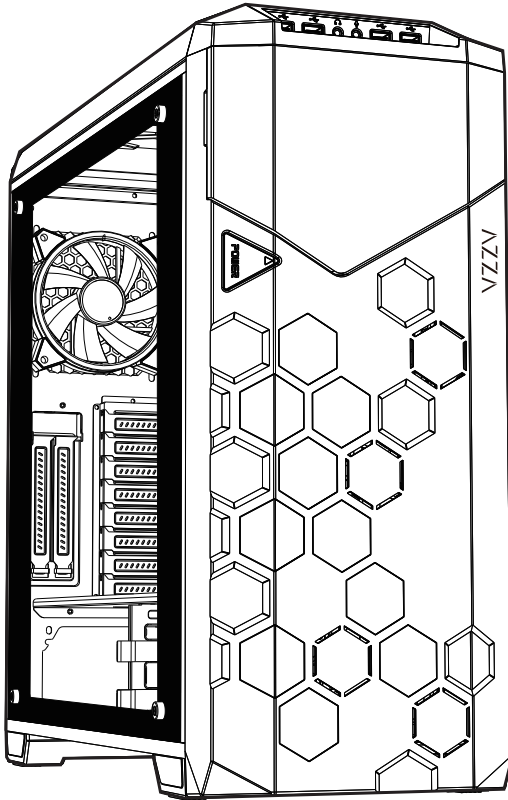




# STORM 6000-ARGB



# USER MANUAL

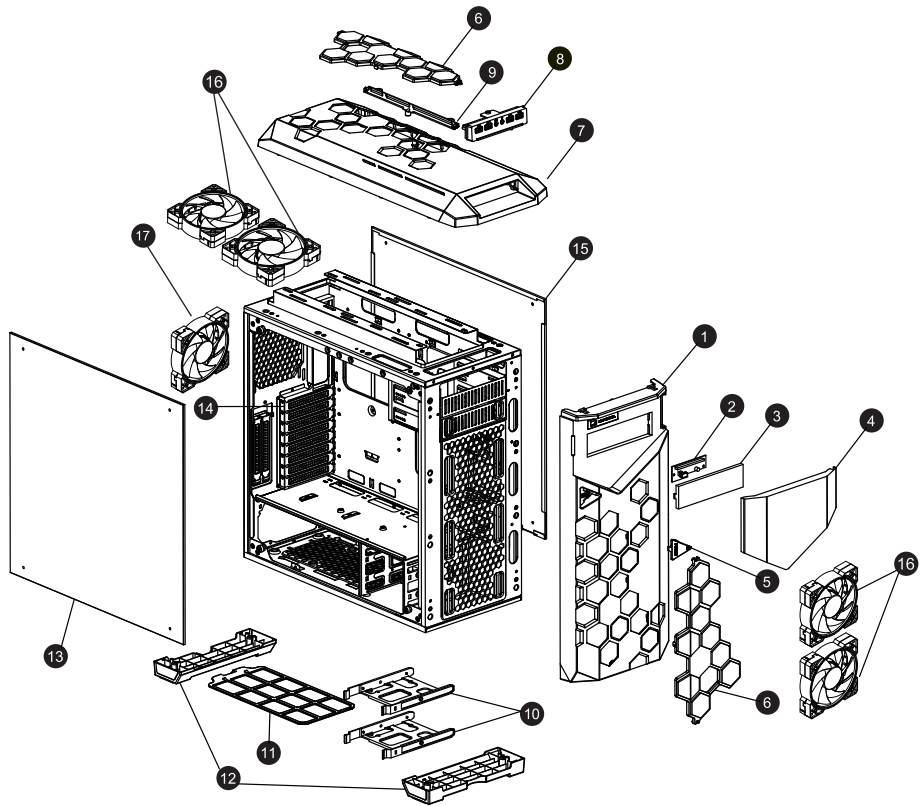
1. Specifications
2. Chassis Parts
3. Control Panel Functions / PSU Installation
4. ODD Installation / ODD Cage Removal
5. Cooling System Installation
6. 3.5"/2.5" HDD Installation
7. Addressable RGB Fan Installation

# Specifications

<b>Model</b>	
Model Name:	Storm 6000-ARGB
Model Number:	CSAZ-6000ARGB/B
<b>Specifications</b>	
Type:	ATX Full Tower
Color:	Black/Black(interior)
Side Panel Window:	Tempered glass side panel with EVA anti-vibration pad
Max CPU Cooler Height:	UP to 175mm
Max Video Card Length:	Up to 420 mm long video card
Power Supply:	Not included
Motherboard Compatibility:	E-ATX(<272mm), ATX, Micro-ATX
<b>Expansion</b>	
External 5.25" Drive Bays:	1
Internal 2.5" Drive Bays:	Up to 6
Internal 3.5" Drive Bays:	Up to 4
Expansion Slots:	10
Top Ports:	Power button, LED button, HD Audio, USB 2.0 x 2,USB 3.0x2
<b>Physical Specifications</b>	
Physical Dimension (HxWxD)	537.7 x225x 525 mm/21.17x8.86x20.67 inches
Weight:	11.1Kg /24.4lbs
<b>Features</b>	
Addressable RGB Light Effects:	ARGB fans are controlled using the LED button. All addressable RGB devices can sync with the motherboard, allowing the motherboard software to control lighting directly.
Available Fan Ports:	2x120mm or 2x140mm fan ports in the front (2x120mm LFO-4112D addressable ARGB fan included) 3x120mm or 2x140mm fan ports on the top (2x120mm LFO-4112D addressable ARGB fan included) 1x120mm or 1x140mm fan port in the rear (1x120mm LFO-4112D addressable ARGB fan included)
Water Cooling:	Supports radiators up to 280mm in the front Supports radiators up to 360mm in the top
Dust Filters:	Removable (magnetic) dust filter on bottom of chassis.
Power Supply Support:	Bottom mounted ATX Power Supply

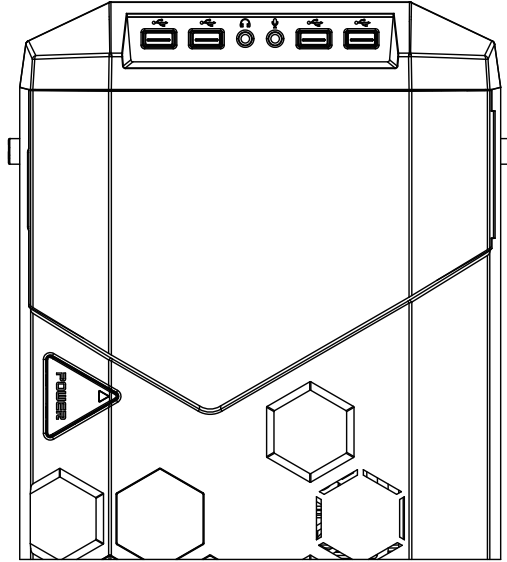
※PWM Fan:The model comes with PWM fans and will run at top speed unless connected to a motherboard or controller.






# Chassis Parts



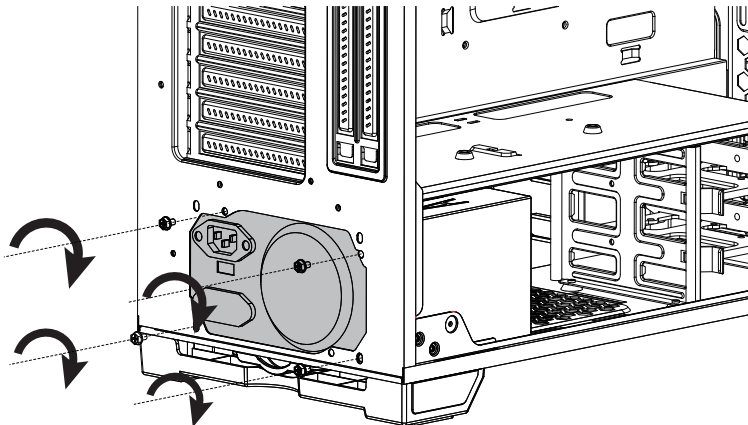
1	Front bezel
2	Addressable RGB control board
3	5.25" Device cover X1
4	Door
5	Power switch
6	Acrylic cover
7	Top cover
8	USB & Audio port
9	LED lens
10	HDD/SSD tray
11	Dust filter
12	Stand X2
13	Tempered Glass Side Panel
14	PCI slot cover
15	Right side panel
16	Addressable RGB fan x4
17	Addressable RGB fan x1

# Control Panel Functions

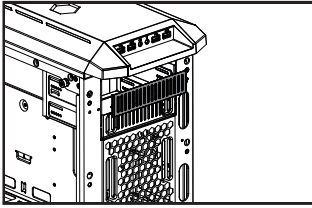


	Power		USB3.0(Blue)
			USB2.0(Black)
			Mic
			Audio

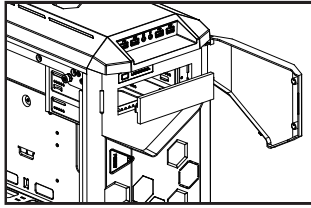
# PSU Installation



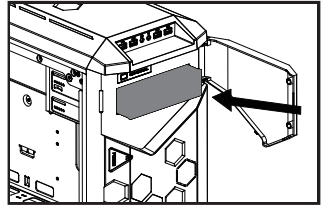
# ODD Installation



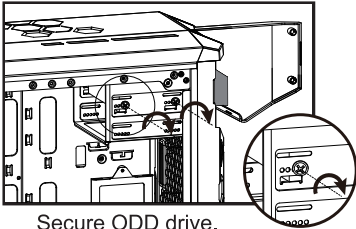
Remove 5.25" metal cover.



Take out drive cover.

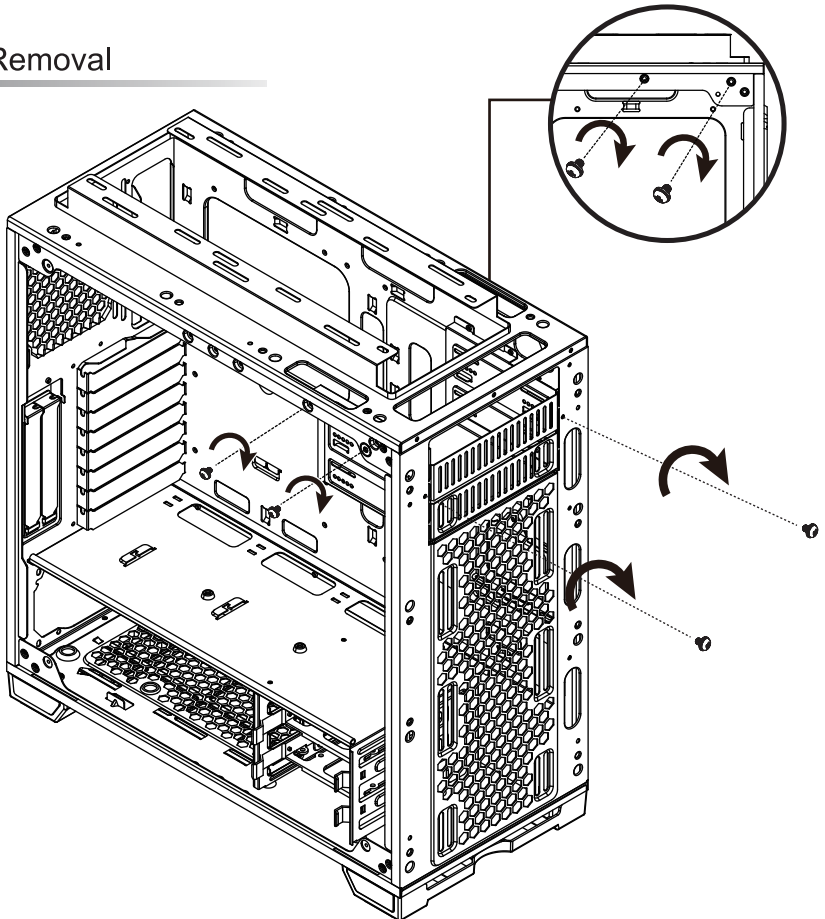


Insert ODD drive.



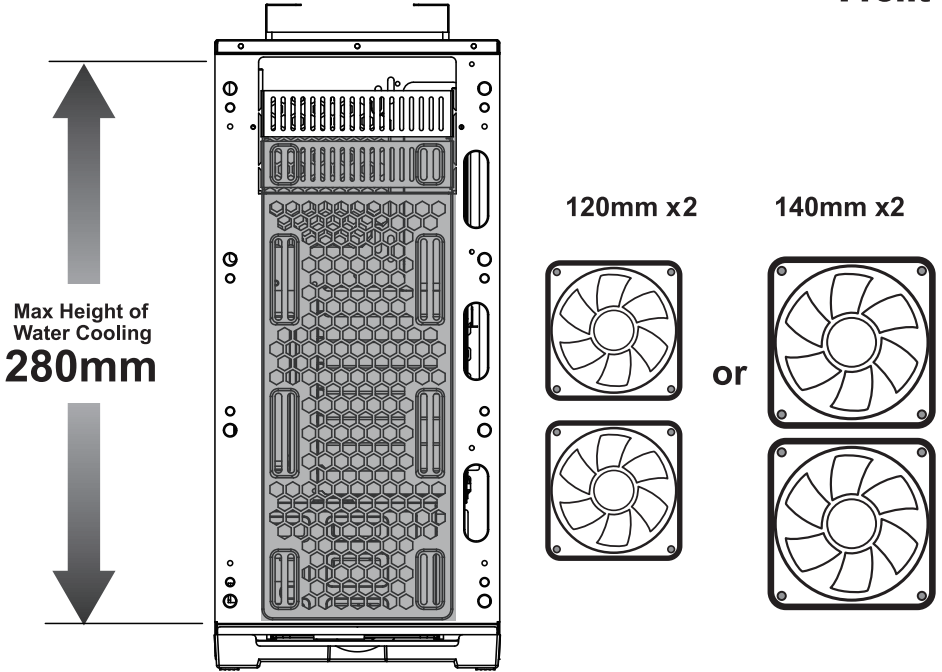
Secure ODD drive.

# ODD Cage Removal

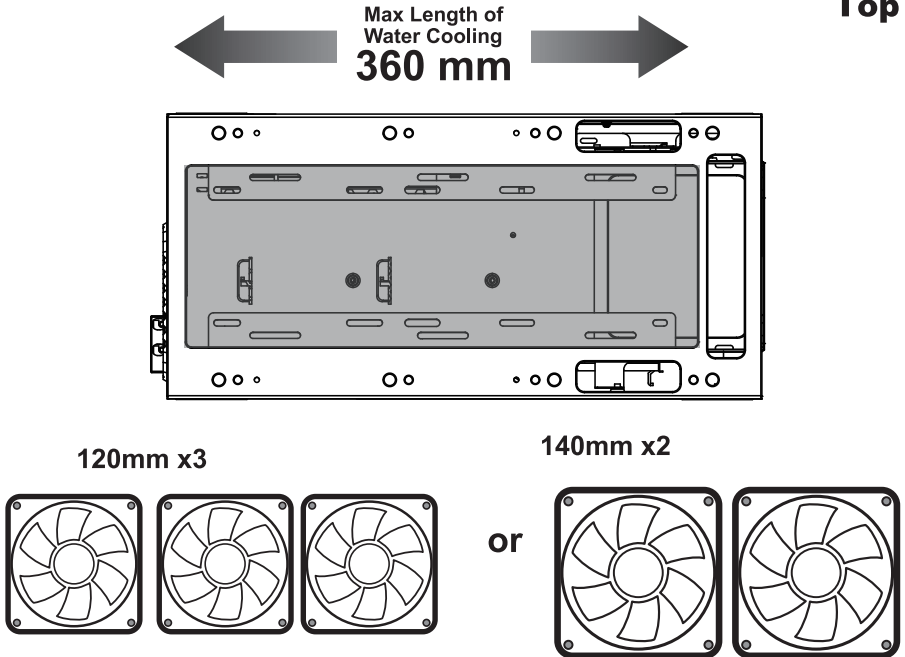


# Cooling System Installation

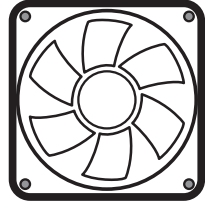
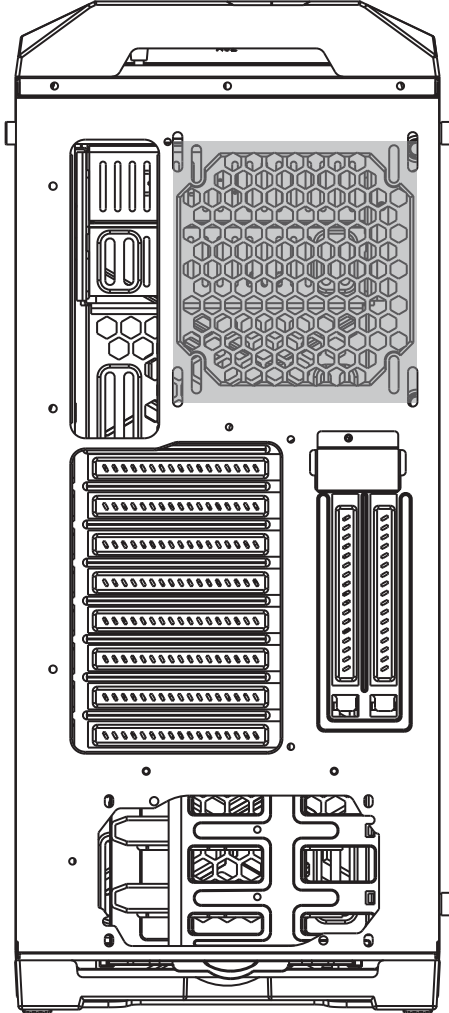
**Front**



**Top**



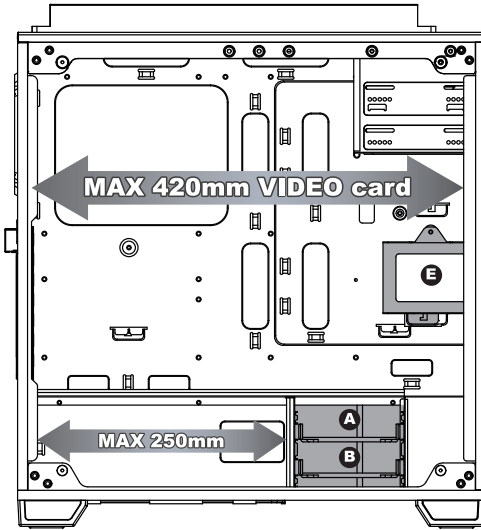
# Rear



120mm x1



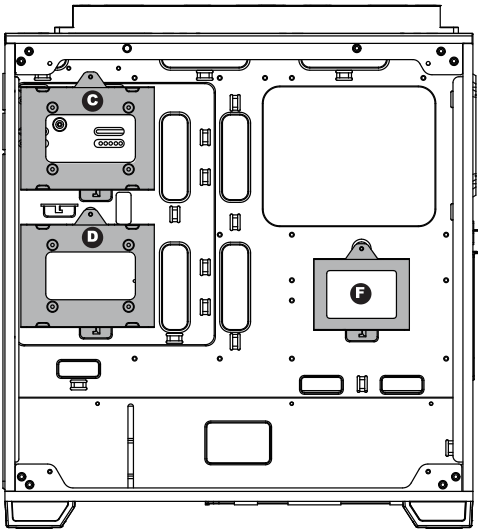
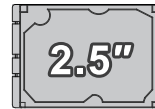
# 3.5" / 2.5" HDD Installation



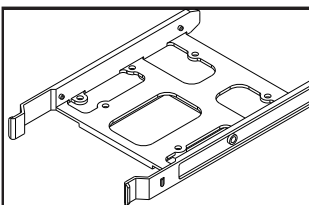
- Supports video cards up to 420mm in length.
- Supports PSUs up to 250mm in length.
- Four multifunctional brackets support 3.5" HDD or 2.5" SSD. (A B C D)



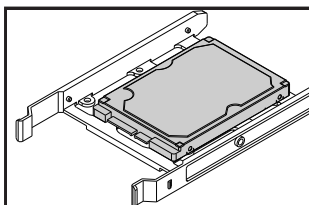
or



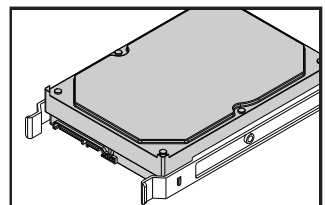
- Two brackets support 2.5" Devices. (E F)



Multifunctional bracket.



Secure 2.5" SSD / HDD with screws.



Secure 3.5" HDD with screws.

# Addressable RGB Fan Installation

